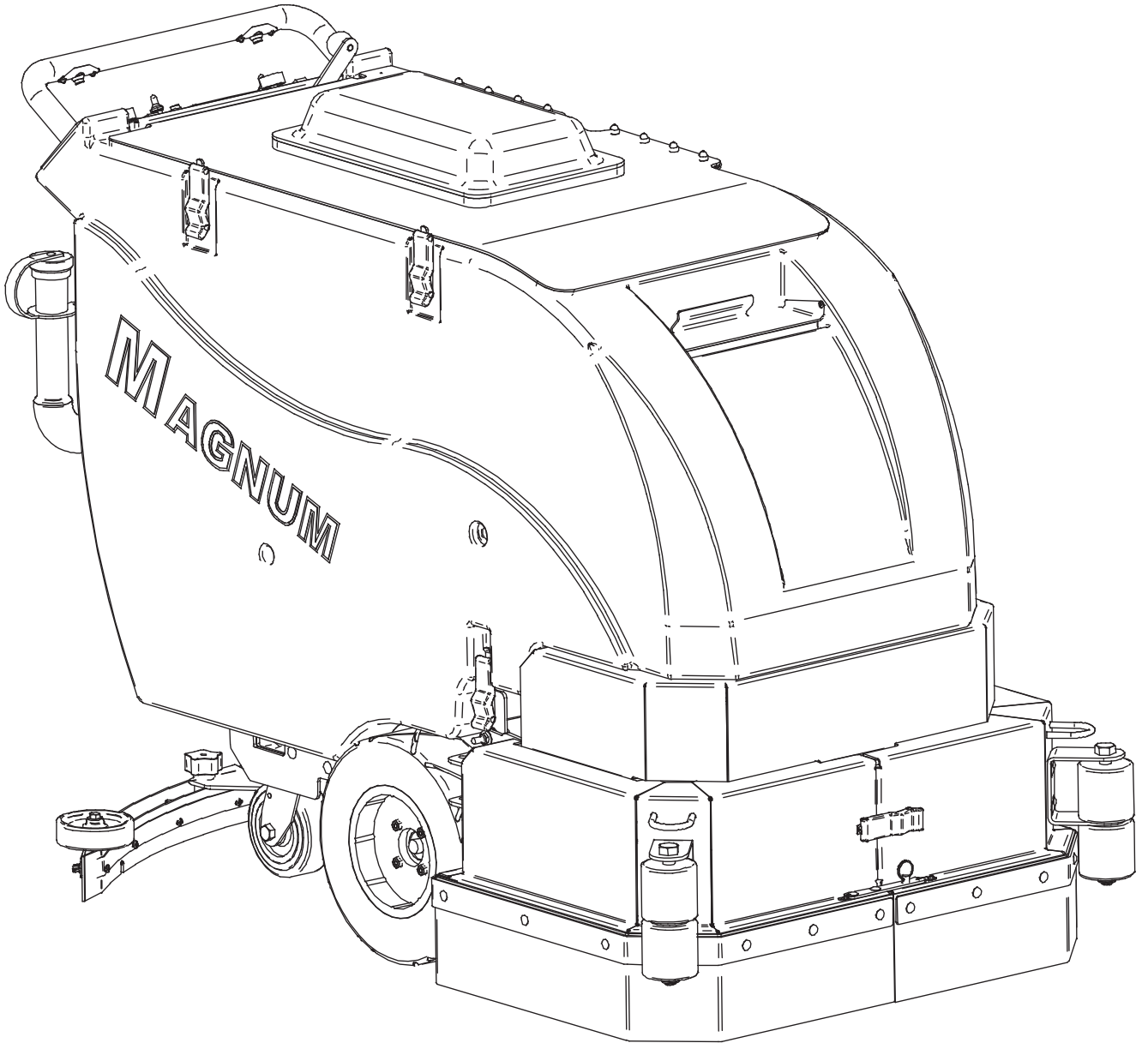


Version 12.1204

# PARTS MANUAL

# MAGNUM SERIES



R.P.S Corporation  
P.O. Box 241  
Racine Wisconsin 53401

Phone: 1-800-450-9824  
Fax: 1-866-632-6961



Soap Choices .....	4
Actuator Lift Assembly .....	6
Caster Foot Assembly .....	8
Frame Assembly .....	10
Frame Assembly .....	12
Frame Assembly .....	13
Vac Motor Assembly .....	14
Tank Baffle .....	15
Tank Assembly .....	16
Tank Assembly .....	18
Tank Lid Assembly .....	20
Squeegee Trail Arm Assembly .....	22
Control Panel Assembly .....	24
Control Panel Assembly .....	26
Control Panel Assembly .....	28
On Board Charger .....	29
Batteries .....	30
Charger Part List .....	31
35 Inch Squeegee Assembly .....	32
38 Inch Squeegee Assembly .....	34
Cylindrical Door Assembly .....	36
Cylindrical Deck Assembly .....	38
Cylindrical Deck Assembly .....	42
28 Inch EDGE Deck Assembly .....	44
32 Inch EDGE Deck Assembly .....	46
Disk Scrub Deck Assembly .....	48
Disk Scrub Deck Assembly .....	50
Pro Polish Disk Scrub Deck Assembly .....	52
28 INCH DISK DECK .....	54
Attach Disk Scrub Deck and Bandeau Cover .....	56
Attach Cylindrical Scrub Deck and Bandeau Cover .....	58
Option #253-10 Spray Jet System .....	60
Electric Squeegee Lift (optional) .....	62
Vac Wand Kit (optional) .....	64
Side Brooms .....	66
Jaws .....	68
Left Shroud .....	70
Right Shroud .....	71
SUDS System .....	72
Common wear parts .....	74
Suggested parts inventory .....	75



Industrial • Commercial • Environmentally Safe

**TRADITIONAL DRUMS / TOTES**



**DEMO / RENTAL QUARTS**



**WALL-MOUNTED SUPERCON**



**ONBOARD AUTO DISPENSING**



Onboard Availability

**FORMULAS**

**SUDS Approved**



**707 Citrus Green** An environmentally cleaner that works! It is a solvent free degreaser that works on oil, carbon, even rubber marks. Incorporates the latest technology in "Green Cleaning".

**SUDS Approved**



**733 Low pH** Safe on most surfaces not harmed by water alone. Low scale formula to prevent alkali buildup in cleaning equipment, while offer detergent to emulsify oil.

**SUDS Approved**



**755 High Power** Ideal solvent fortified degreaser. This butyl based detergent is penetrating, fast acting, and deep cleaning with built-in corrosion inhibitors. It is our most effective degreaser.

**SUDS Approved**



**757 Gloss** A high gloss detergent designed to dry to a bright shine. It is ideal for use on finished surfaces, tile, epoxy, or enamel. The special formula removes salt residue, scuff marks and dirt, while leaving no residue behind. The result is a clean, non-slip surface, ready for immediate use.

**SUDS Approved**



**797 HD** The Heavy Duty concentrate is a Super alkaline detergent, formulated for heavy soil, grease, and thick buildup. Popular in machine shops, auto and truck repair, and other facilities with oil, hydraulic fluids and cutting oils.

*\*\*Below Sold in bulk concentrate only. Not available as a SuperCon, PowerDose or SUDS product.*

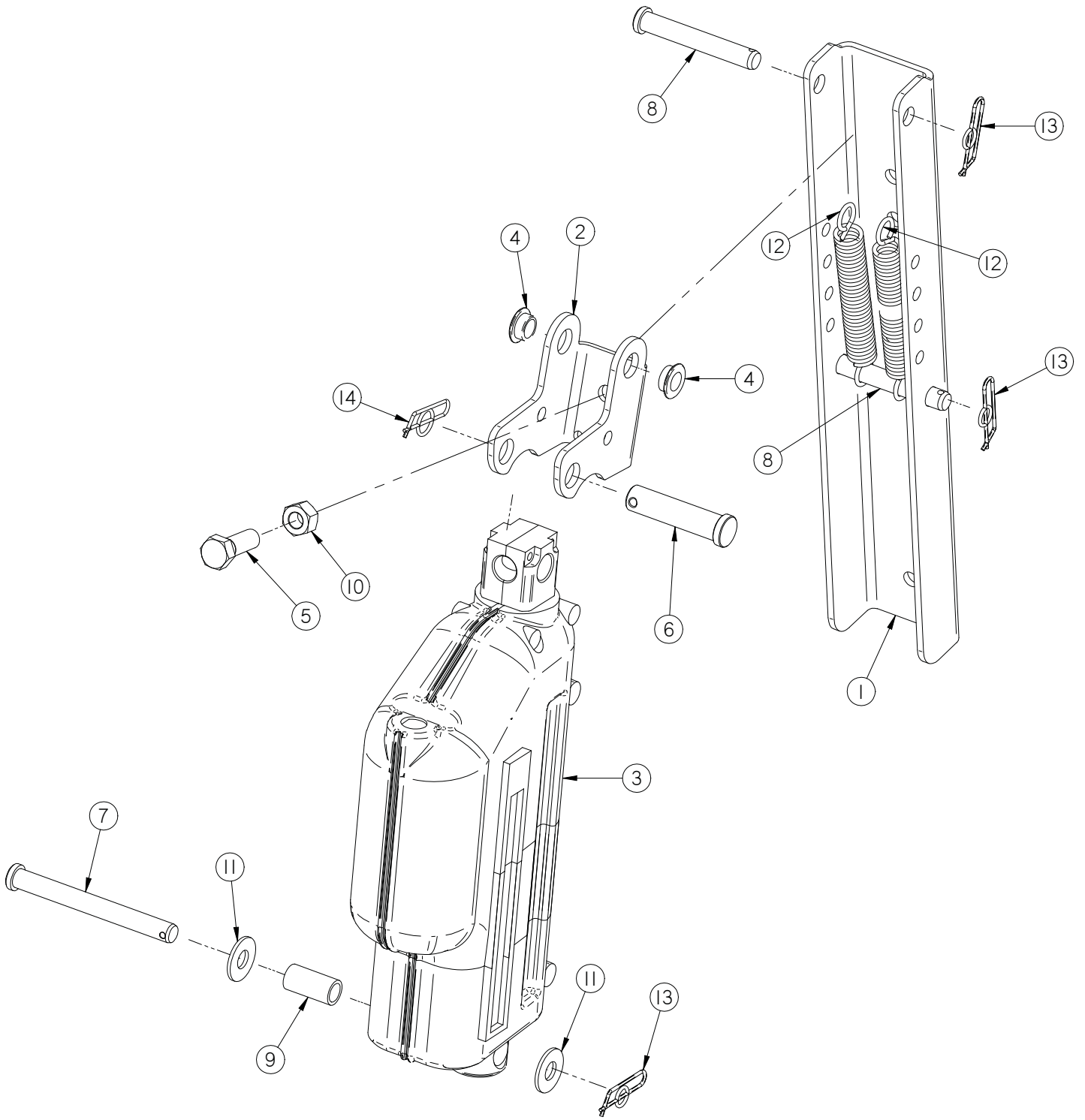
**727 Pretreat\*\*** Designed to quickly remove tire marks, oil stains and buildup that has accumulated. This pretreat uses the powerful cleaning of natural citrus extract and is intended to be used directly on the floor at 100% concentrate.

**744 Tough Stuff\*\*** Ideal for applications with Hard Water problems. It is safe to use in pressure washers and automatic scrubbers. The formulation enhances soil suspension, digests oil and grease, while supporting extra water conditioner.

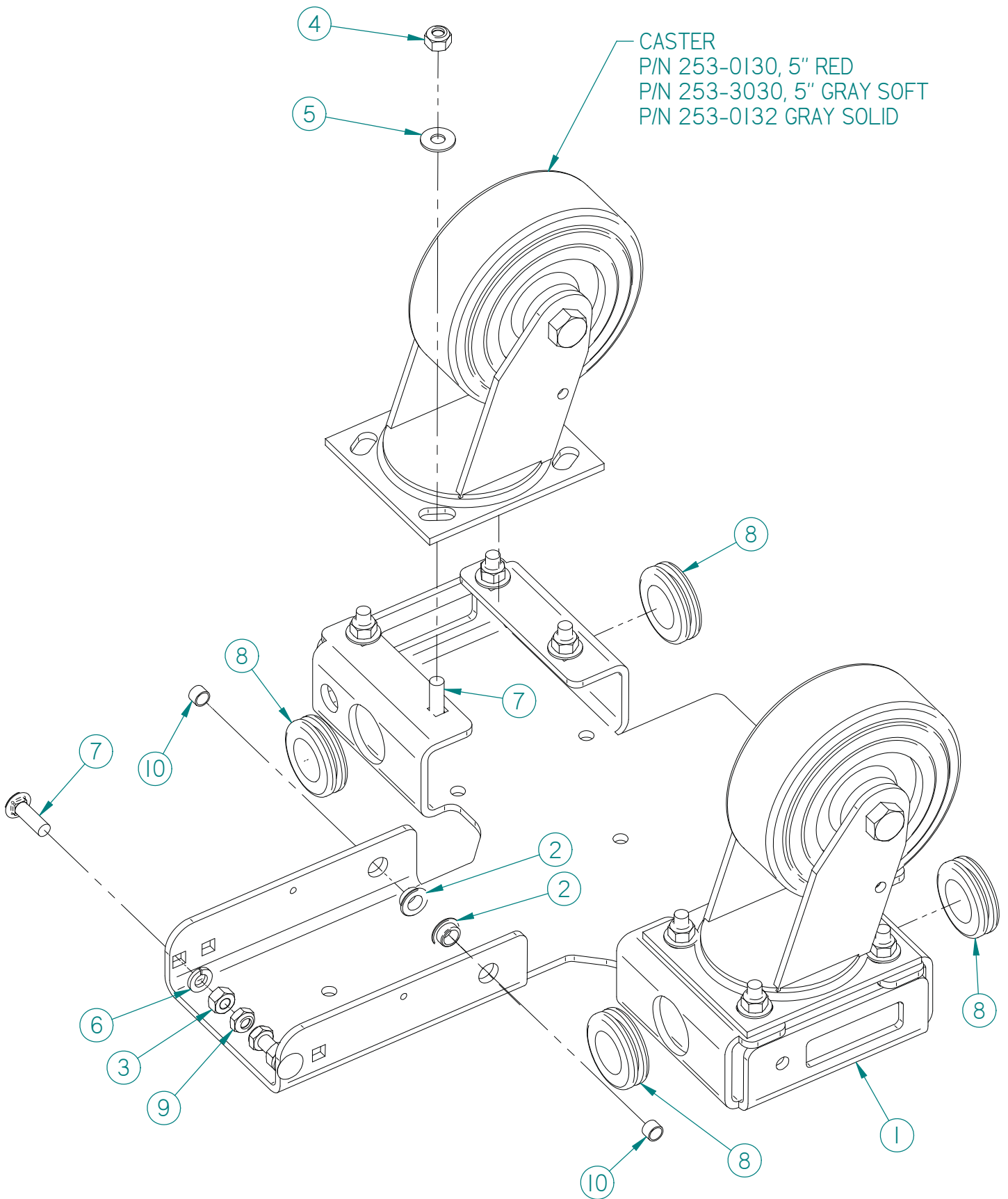
**Distributed by:**

**PowerCat**  
**P.O. Box 503**  
**Racine, WI 53404-0503**  
**Phone: 414-745-9337**  
**Fax: 262-632-1630**  
**www.powercatsolutions.com**

PowerCat, LLC, 2008.



Item	Part Number	Part Description	Qty
1	190-1155	ACTUATOR ANCHOR	1
2	253-1150	ACTUATOR ARM	1
3	253-2210	4" STROKE 24V ACTUATOR 1000 LB LOAD	1
4	290-1233	3/8" ID, 1/2" OD, 1/4" LG BEARING	2
5	H-01219	HCS 3/8"- 24 X 1 1/8" SS	1
6	H-0156771	CLEVIS PIN, 1/2" OD X 2" LG	1
7	H-0156943	3/8" X 3-1/2" CLEVIS PIN	1
8	H-15675	CLEVIS PIN, 3/8" X 2-1/2"	2
9	H-63917	SLEEVE, .50 OD X .375 ID X 1.0 LG	1
10	H-70732	HN 3/8"- 24 SS	1
11	H-71017	FW 3/8" X 7/8" SS	2
12	H-96544	SPRING, 4-1/8" LG, 9/16" OD	2
13	H-RUE14	3/8" RUE RING COTTER	3
14	H-RUE22	1/2" RUE RING COTTER	1



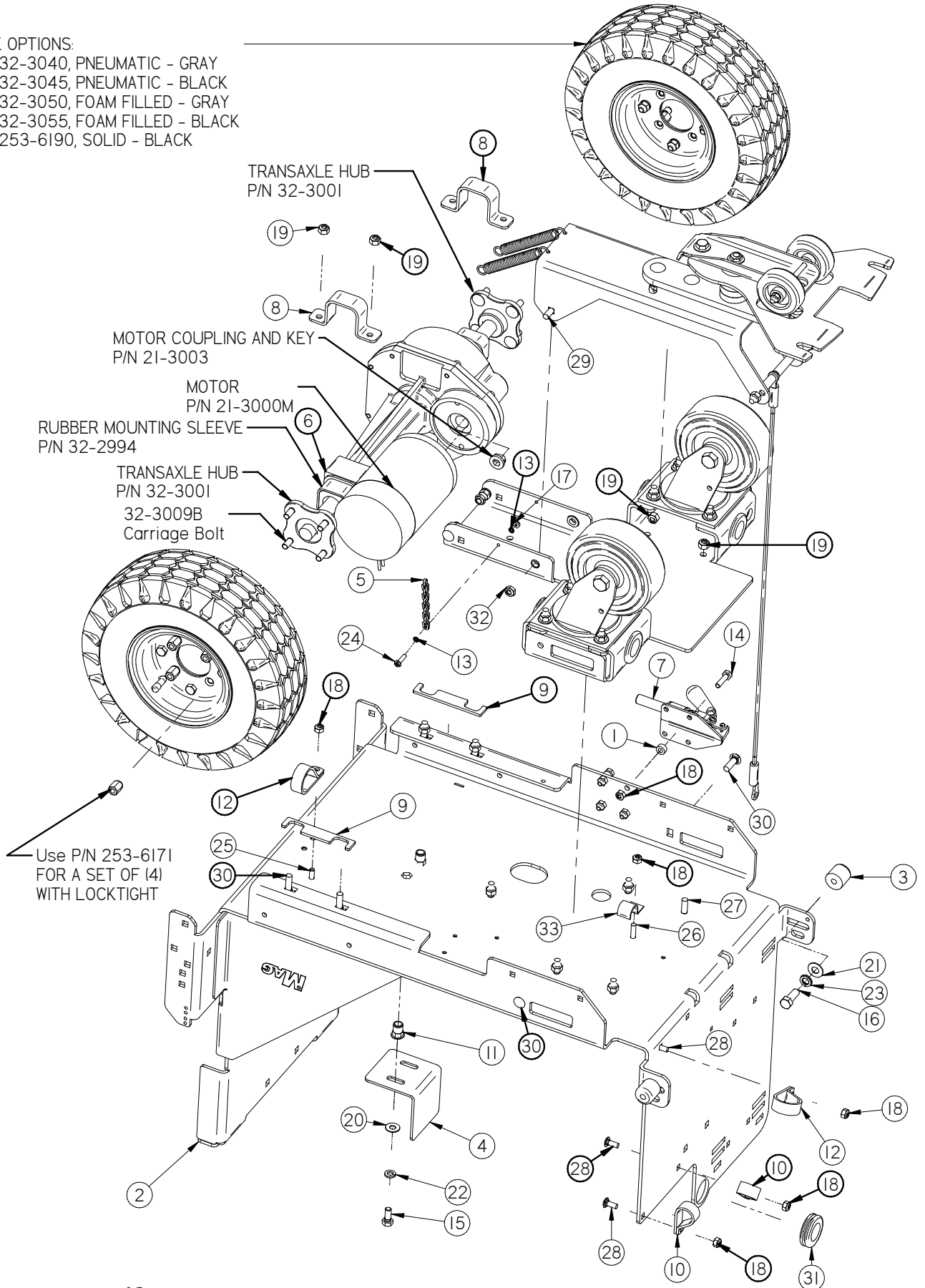


Item	Part Number	Part Description	Qty
1	253-1380	CASTER FOOT	1
2	290-1233	3/8" ID, 1/2" OD, 1/4" LG BEARING	2
3	H-70711	HN 5/16"- 18 SS	2
4	H-70861	NYLOK 5/16" - 18 SS	8
5	H-71015	FW 5/16" X 3/4" SS	8
6	H-71065	LW 5/16" SS	2
7	H-74430	CB 5/16"- 18 X 1" SS	10
8	H-9307K74	GROMMET, 1" ID X 1-3/4" OD BUNA-N	4
9	H-NJ05C	JNYL 5/16"- 18 SS	2
10	M-639IK403	.312 ID X .375 OD X .25 LG BEARING SLEEVE	2

# 10 Frame Assembly

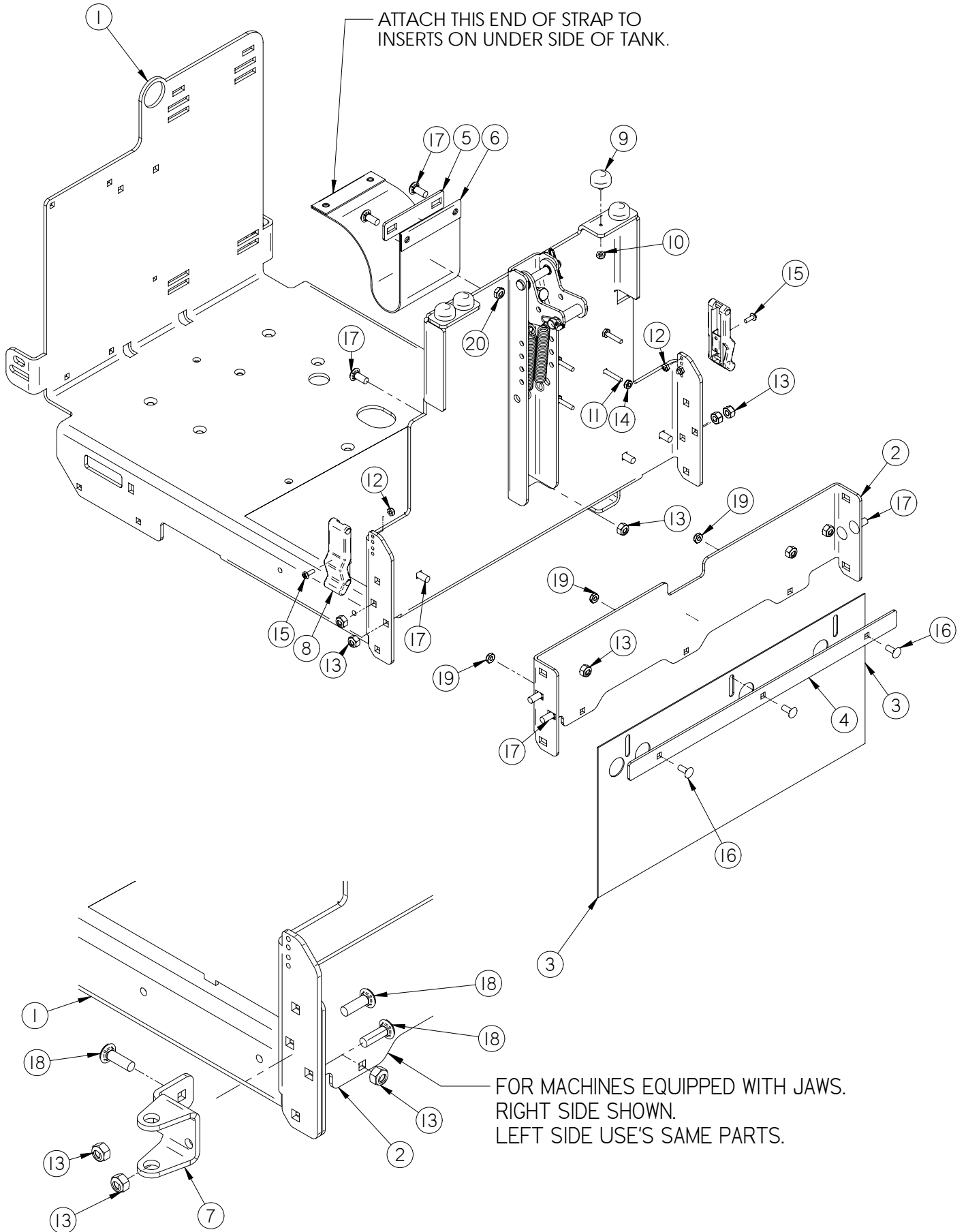
**TIRE OPTIONS:**

- P/N 32-3040, PNEUMATIC - GRAY
- P/N 32-3045, PNEUMATIC - BLACK
- P/N 32-3050, FOAM FILLED - GRAY
- P/N 32-3055, FOAM FILLED - BLACK
- P/N 253-6190, SOLID - BLACK



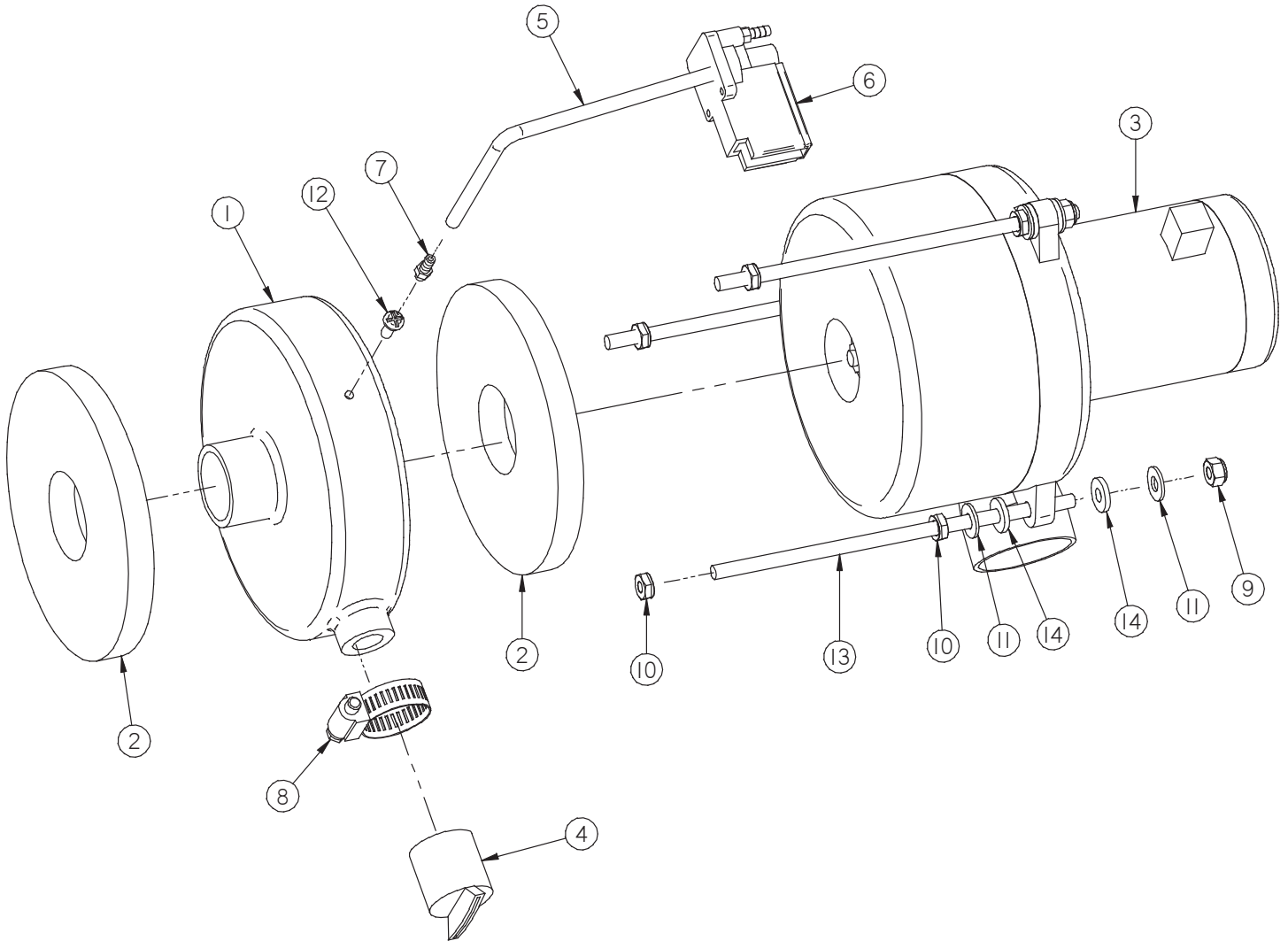
Item	Part No.	Part Description	Qty.
1	21-2211	SPACER 1/2 OD X 1/4"	4
2	253-1000	MAINFRAME WELDMENT	1
3	253-1060	BOSS	2
4	253-1470	BATTERY TRAY BRACKET	1
5	253-1618	GROUNDING CHAIN, 12"	1
6	253-3009	TRANS AXLE	1
7	253-4000	PARKING BRAKE (OPTIONAL)	1
8	32-0999	AXLE MOUNT	2
9	7-128B	CASTER SPACER	2
10	H-0127295	RUBBER LOOP CLAMP, 3/4"	2
11	H-312HCN	HCN 5/16"-18	2
12	H-3225T	RUBBER LOOP CLAMP, 1-1/2"	2
13	H-33733	#6 STAR WASHER	2
14	H-70005	HCS 1/4"- 20 X 1" SS	4
15	H-70053	HCS 5/16"- 18 X 3/4" SS	2
16	H-70105	HCS 3/8"- 16 X 1" SS	2
17	H-70855	NYLOK #6-32 SS	1
18	H-70860	NYLOK 1/4"- 20 SS	9
19	H-70861	NYLOK 5/16" - 18 SS	10
20	H-71015	FW 5/16 ID X 3/4 OD SS	2
21	H-71017	FW 3/8 ID X 7/8 OD SS	2
22	H-71065	LW 5/16" SS	2
23	H-71067	LW 3/8" SS	2
24	H-72388	PPH #6-32 X 3/4" SS	1
25	H-72708	FHP 1/4"- 20 X 3/4"	1
26	H-72710	FHP 1/4"- 20 X 1" SS	1
27	H-73908	FHSCS 5/16"- 18 X 1" SS	5
28	H-74418	CB 1/4"- 20 X 5/8" S/S	3
29	H-74429	CB 5/16"- 18 X 3/4" SS	2
30	H-74430	CB 5/16"- 18 X 1" SS	6
31	H-9307K74	GROMMET, 1" ID X 1-3/4" OD BUNA-N	1
32	H-NJ05C	JNYL 5/16"- 18 SS	2
33	M-9434T27	3/4" DIA I HOLE TUBE STRAP	1

# 12 Frame Assembly



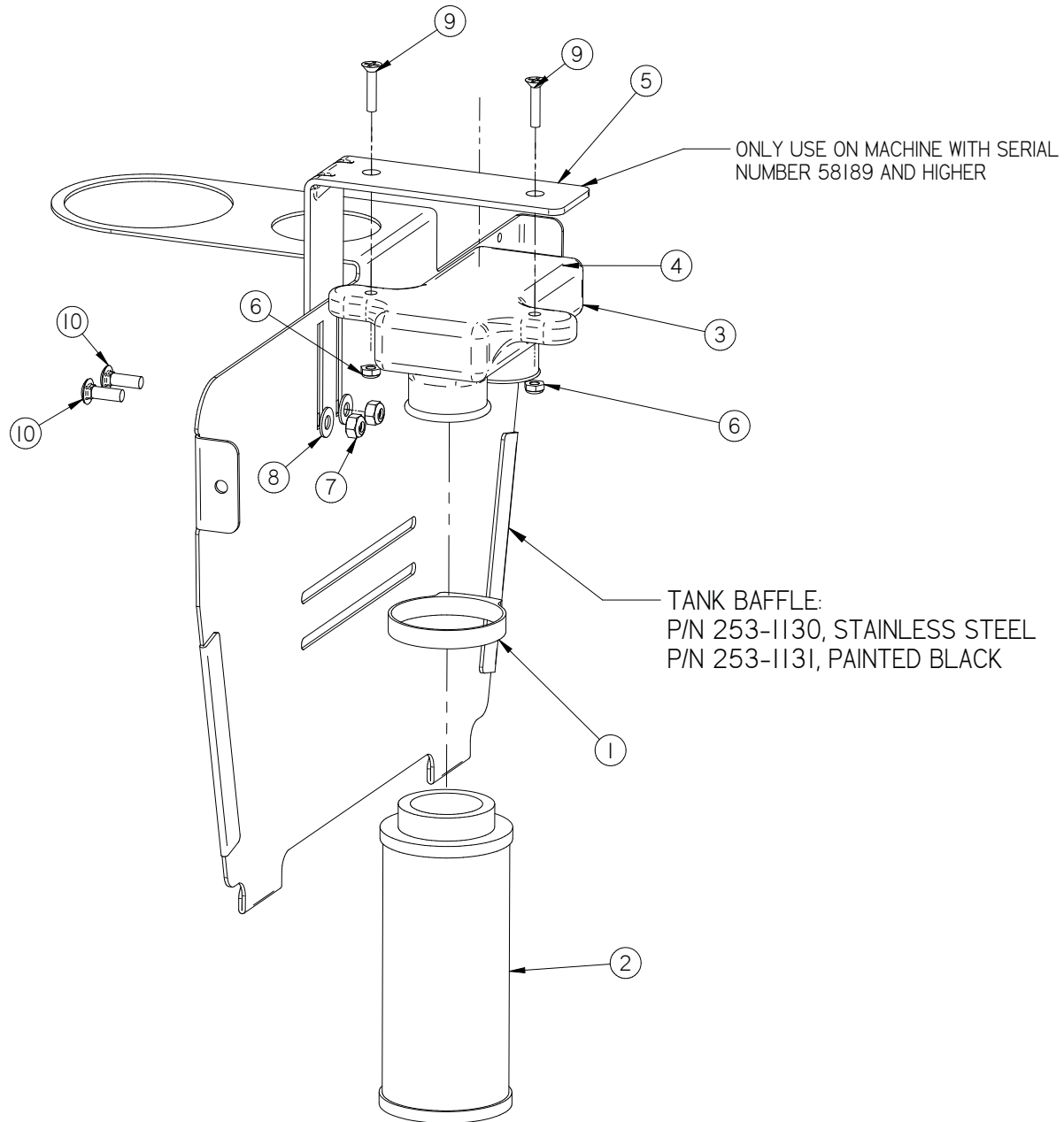
Item	Part No.	Part Description	Qty.
1	253-1000	MAINFRAME WELDMENT	1
2	253-1010	LIFT ARM SUPPORT BRACKET	1
3	253-1015	FRAME CURTAIN	1
4	253-1020	BAND, FRAME CURTAIN	1
5	253-1040	TANK STRAP SUPPORT	1
6	253-1050	TANK STRAP, 35" LG X 4" WIDE	1
7	253-1160	JAW HINGE, INNER	2
8	4-124	LATCH	2
9	H-01201	GROMMET	4
10	H-0129154	JAM NYLOK #10-24 SS	4
11	H-0172522	CB #10-32 X 1-1/4" SS	4
12	H-70856	NYLOK #8-32 SS	4
13	H-70861	NYLOK 5/16" - 18 SS	11
14	H-70923	KN #10-32 SS	4
15	H-72398	PPH #8-32 X 1/2" S/S	4
16	H-74418	CB 1/4"- 20 X 5/8" S/S	3
17	H-74429	CB 5/16"- 18 X 3/4" SS	13
18	H-74430	CB 5/16"- 18 X 1" SS	6
19	H-NJ04C	JNYL 1/4" - 20 SS	3
20	H-NJ05C	JNYL 5/16"- 18 SS	2

# 14 Vac Motor Assembly



Item	Part Number	Part Description	Qty
1	190-1450	VAC BOX	1
2	190-3002	VAC MOTOR GASKET	2
3	190-5250	VAC MOTOR, 3/4 HP, TANGENTIAL	1
4	253-1505	LOADER VALVE	1
5	253-8006	CLEAR TUBE, 1/8" ID X 1/4" OD X ? LG	1
6	390-2328	SWITCH, VACUUM SHUTOFF	1
7	390-2328A	VACUUM SWITCH BARB	1
8	H-62005	CLAMP 5/8"- 1-1/2" SS	1
9	H-70860	NYLOK 1/4"- 20 SS	3
10	H-70925	KN 1/4-20 S/S	6
11	H-71013	FNW 1/4" X 5/8" SS	6
12	H-72515	PPH #10-32 X 1/2" S/S	1
13	H-W1579194	1/4-20 X 7" FT STUD S/S	3
14	M-90130A029	.25" NEOPRENE WASHER	6

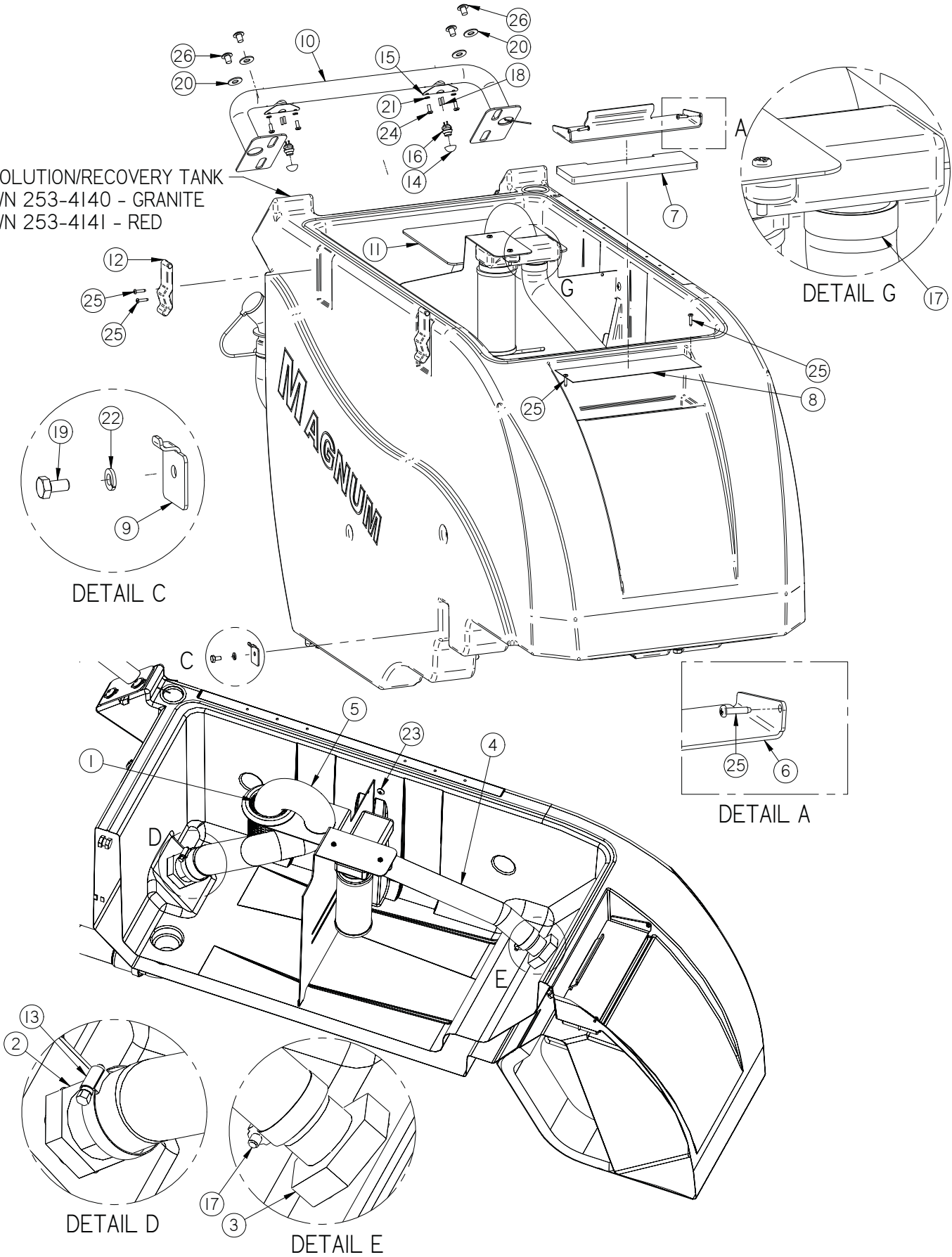
NOTE: ITEMS 5, 6, 7 ARE OPTION #253-28 VACUUM ELECTRIC SHUT-OFF.



Item	Part Number	Part Description	Qty
1	21-4028	SNAP GRIP CLAMP	1
2	21-4085	VAC SCREEN	1
3	21-7060	VAC BOX	1
4	253-1131	BAFFLE, PAINTED	1
5	370-1122	BALL FLOAT HOLDER	1
6	H-70858	NYLOK #10-32 SS	2
7	H-70860	NYLOK 1/4" - 20 SS	2
8	H-71013	FW 1/4 ID X 5/8 OD SS	2
9	H-72685	FHP 10-32 X 1" SS	2
10	H-74419	CB 1/4" - 20 X .75" SS	2

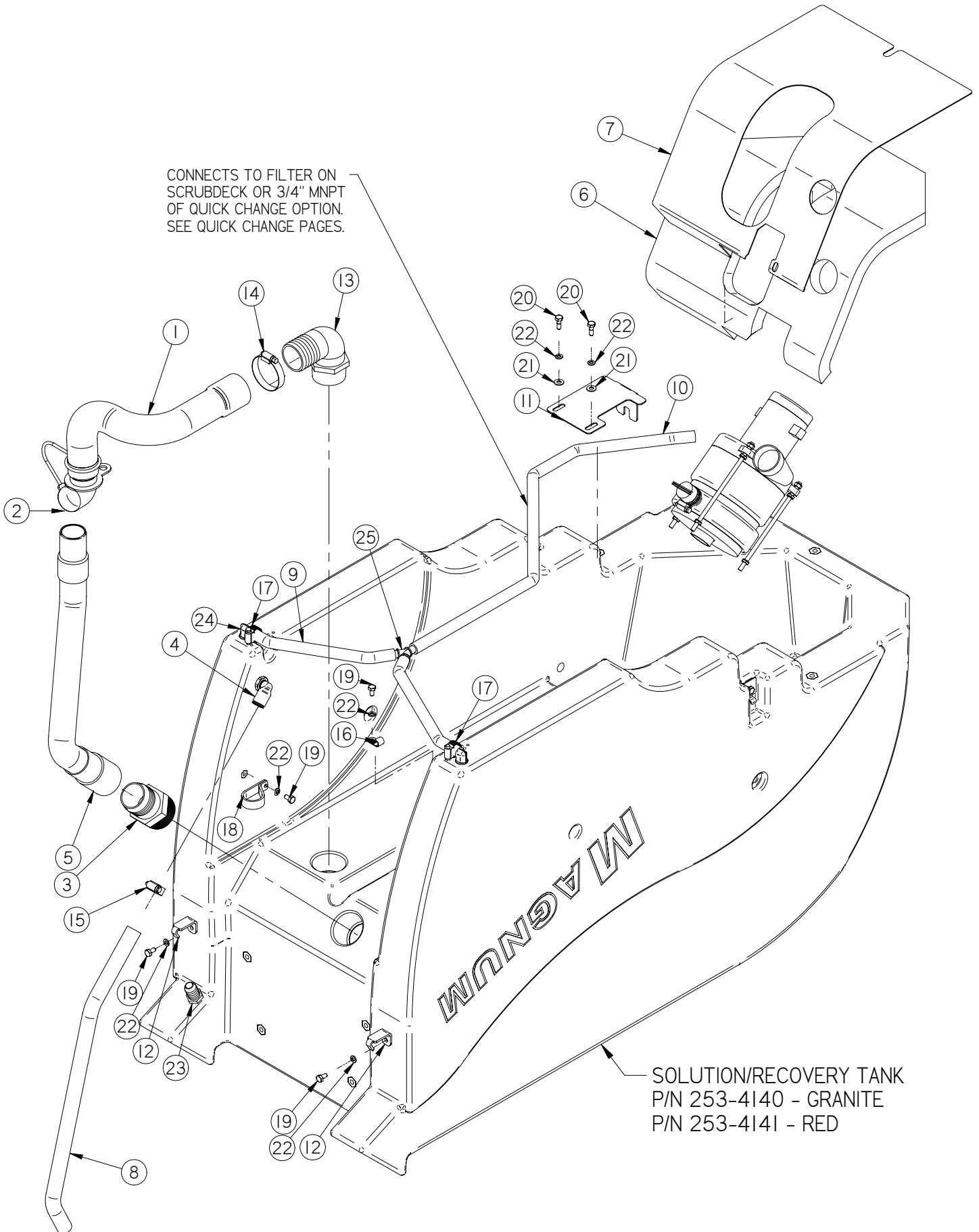
# 16 Tank Assembly

SOLUTION/RECOVERY TANK  
P/N 253-4140 - GRANITE  
P/N 253-4141 - RED





Item	Part Number	Part Description	Qty
1	170-8911	SCREEN STRAINER, 4-1/4" LG	1
2	190-1210	2.0" MNPT X 2.0" BARB, PVC	1
3	190-1215	2.0" MNPT X 1.50" BARB, PVC	1
4	253-0120	1-1/2" ID X 19" LG WIRE REINF. BLACK HOSE, NO CUFFS	1
5	253-0121	2.0" ID x 27.0" LG MW255 GRAY MG HOSE, NO CUFFS	1
6	253-1180	SOLUTION FILL LID	1
7	253-1190	SOLUTION FILL LID GASKET	1
8	253-1220	SCREEN	1
9	253-1240	CLIP	2
10	253-1280	HANDLEBAR	1
11	370-1129	TANK BACK SPLASH	1
12	4-124	LATCH	2
13	5-719	CLAMP 1 9/16 - 2 1/2 " SS	1
14	7-227	BUTTON COVER	1
15	7-228	SWITCH MOUNT PLATE	1
16	7-229	PUSH BUTTON SWITCH	1
17	H-0427612	CLAMP 3/4"- 1-3/4" SS	2
18	H-108	HEAT SHRINK	1
19	H-70001	HCS 1/4"-20 X 1/2 SS"	2
20	H-71017	FW 3/8 ID X 7/8 OD SS	2
21	H-71059	LW #10, SS	1
22	H-71063	LW 1/4" SS	1
23	H-71894	#14 X 1" SELF TAPPING SCREW	2
24	H-72515	PPH #10-32 X 1/2" S/S	1
25	H-72536	PPH SMS #8 X 3/4" SS	5
26	H-73811	BHSCS 3/8"- 16 X 1/2" SS	2



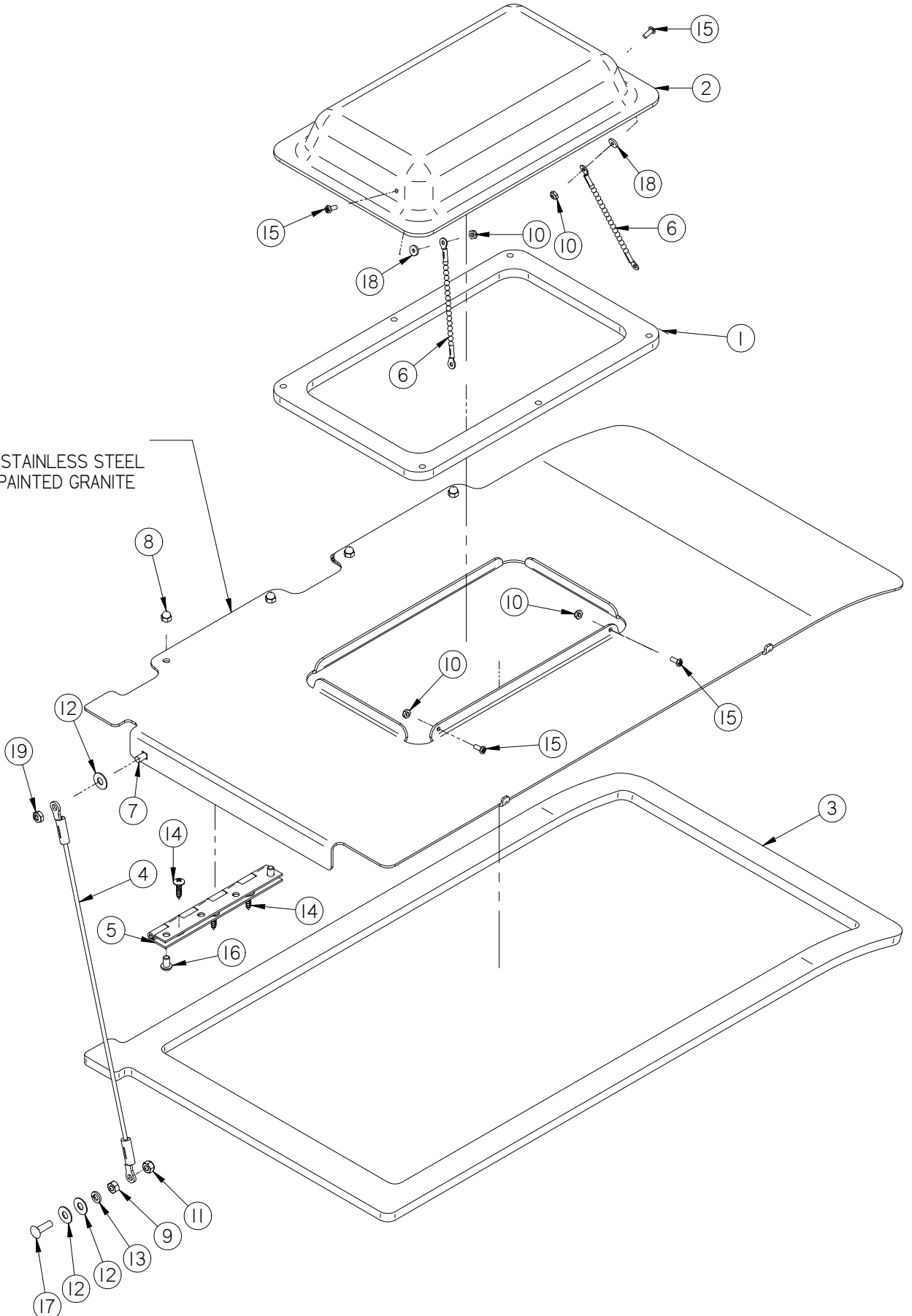
CONNECTS TO FILTER ON  
SCRUBDECK OR 3/4" MNPT  
OF QUICK CHANGE OPTION.  
SEE QUICK CHANGE PAGES.

SOLUTION/RECOVERY TANK  
P/N 253-4140 - GRANITE  
P/N 253-4141 - RED

Item	Part Number	Part Description	Qty
1	170-7210	DRAIN HOSE WITH PLUG	1
2	170-7211	HOSE CAP	1
3	190-1210	2.0" MNPT X 2.0" BARB, PVC	1
4	190-5779	ELBOW, MALE 1/2" NPT X 1/2" TUBE OD, GLASS FILLED NYLON	1
5	253-0111	SQUEEGEE HOSE, 1.50" ID X 38.50" LG.	1
6	253-1137	VAC MOTOR INSULATION	1
7	253-1139	INSULATION SUPPORT	1
8	253-1370	CLEAR HOSE, 3/4" ID X 1.0" OD X 26" LG	1
9	253-1604	1/2" ID X 11-1/2" LG WIRE REINF. CLEAR TUBE	2
10	253-1605	1/2" ID X 36-1/2" LG WIRE REINF. CLEAR TUBE	1
11	253-4100	WIRE PLATE	1
12	253-9491	HOOK	2
13	290-7041	2" NPT X 2" BARB STREET ELBOW, BLACK	1
14	5-719	CLAMP 1 9/16 - 2 1/2 " SS	1
15	5-848	CLAMP 9/16"- 1 1/16" SS	1
16	H-0127288	#6 3/8" RUBBER LOOP CLAMP	1
17	H-081	CLAMP 7/16"- 25/32" SS	2
18	H-3225T	RUBBER LOOP CLAMP, 1-1/2"	1
19	H-70001	HCS 1/4"-20 X 1/2 SS"	4
20	H-70003	HCS 1/4"-20 X 3/4" SS	2
21	H-71013	FW 1/4 ID X 5/8 OD SS	2
22	H-71063	LW 1/4" SS	6
23	M-5346K68	1/2" MNPT X 3/4" BARB, BRASS	1
24	M-53525K58	ELBOW, 1/2" MNPT X 1/2" BARB, BRASS	1
25	M-5463K727	WYE, 1/2", NYLON	1

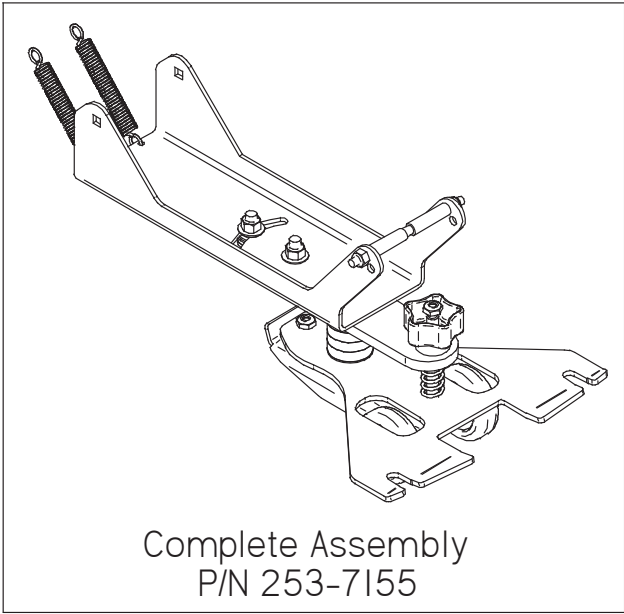
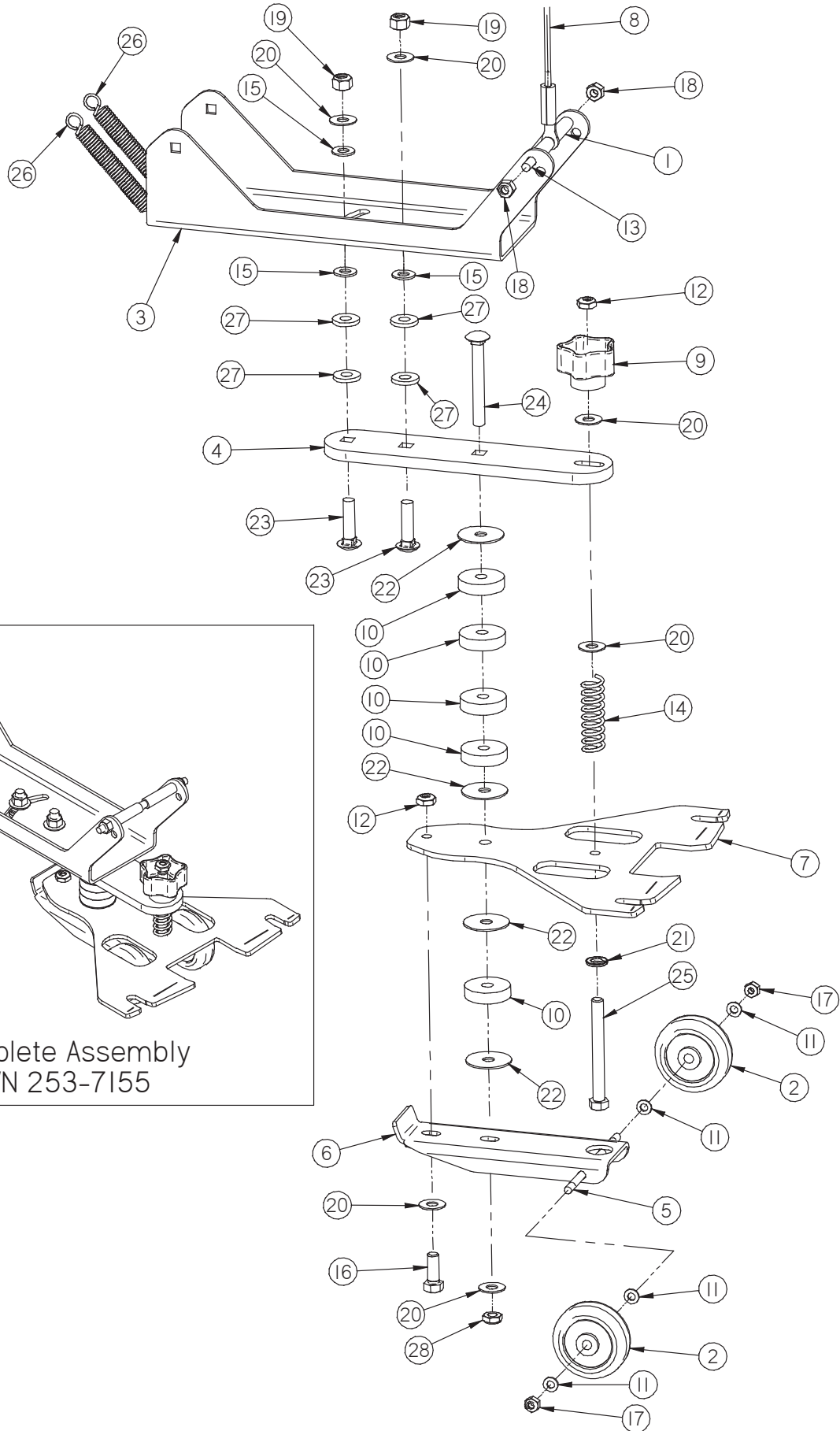
# 20 Tank Lid Assembly

TANK LID  
P/N 253-1400 - STAINLESS STEEL  
P/N 253-1401 - PAINTED GRANITE



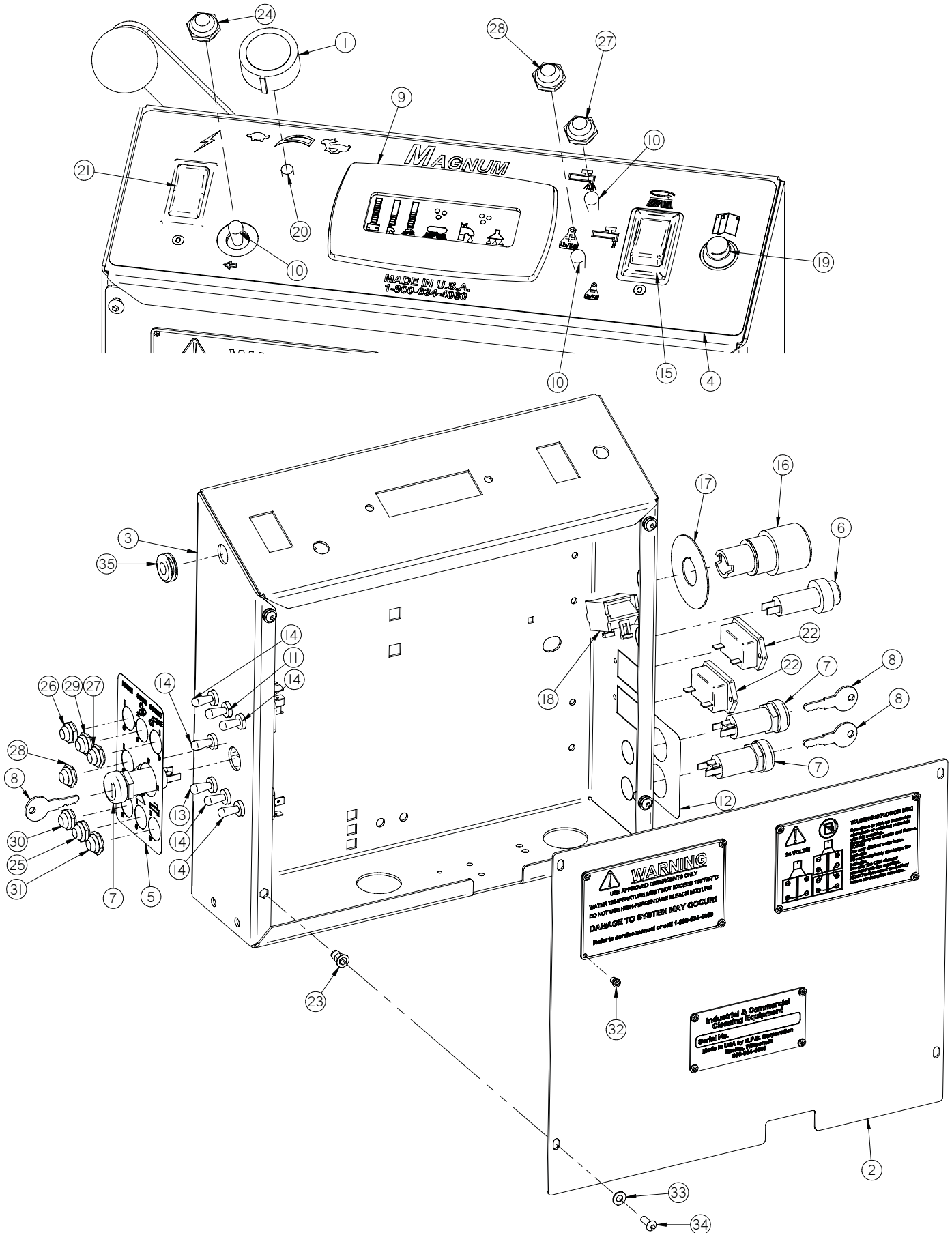
Item	Part Number	Part Description	Qty
1	190-1075	TANK CLEAR COVER GASKET	1
2	190-1410	VAC FORMED CLEAR COVER	1
3	253-1070	RECOVERY TANK LID GASKET	1
4	253-1450	RECOVERY TANK CABLE, 20"	1
5	32-8000	8" CONTINUOUS HINGE	2
6	370-4060	6" LANYARD	2
7	H-0172526	CB 5/16"- 18 X 5/8" SS	1
8	H-37709	5/16-18 ACORN NUT	4
9	H-70711	HN 5/16"- 18 SS	1
10	H-70858	NYLOK #10-32 SS	4
11	H-70861	NYLOK 5/16" - 18 SS	1
12	H-71017	FW 3/8" X 7/8" SS	3
13	H-71065	LW 5/16" SS	1
14	H-71894	#14 X 1" SELF TAPPING SCREW	6
15	H-72515	PPH #10-32 X 1/2" S/S	4
16	H-73777	BHSCS 5/16-18 X 1/2"	4
17	H-74430	CB 5/16"- 18 X 1" SS	1
18	H-90133	.170 ID X .50 OD X .093 TH NEOPRENE WASHER	2
19	H-NJ05C	JNYL 5/16"- 18 SS	1

# 22 Squeegee Trail Arm Assembly



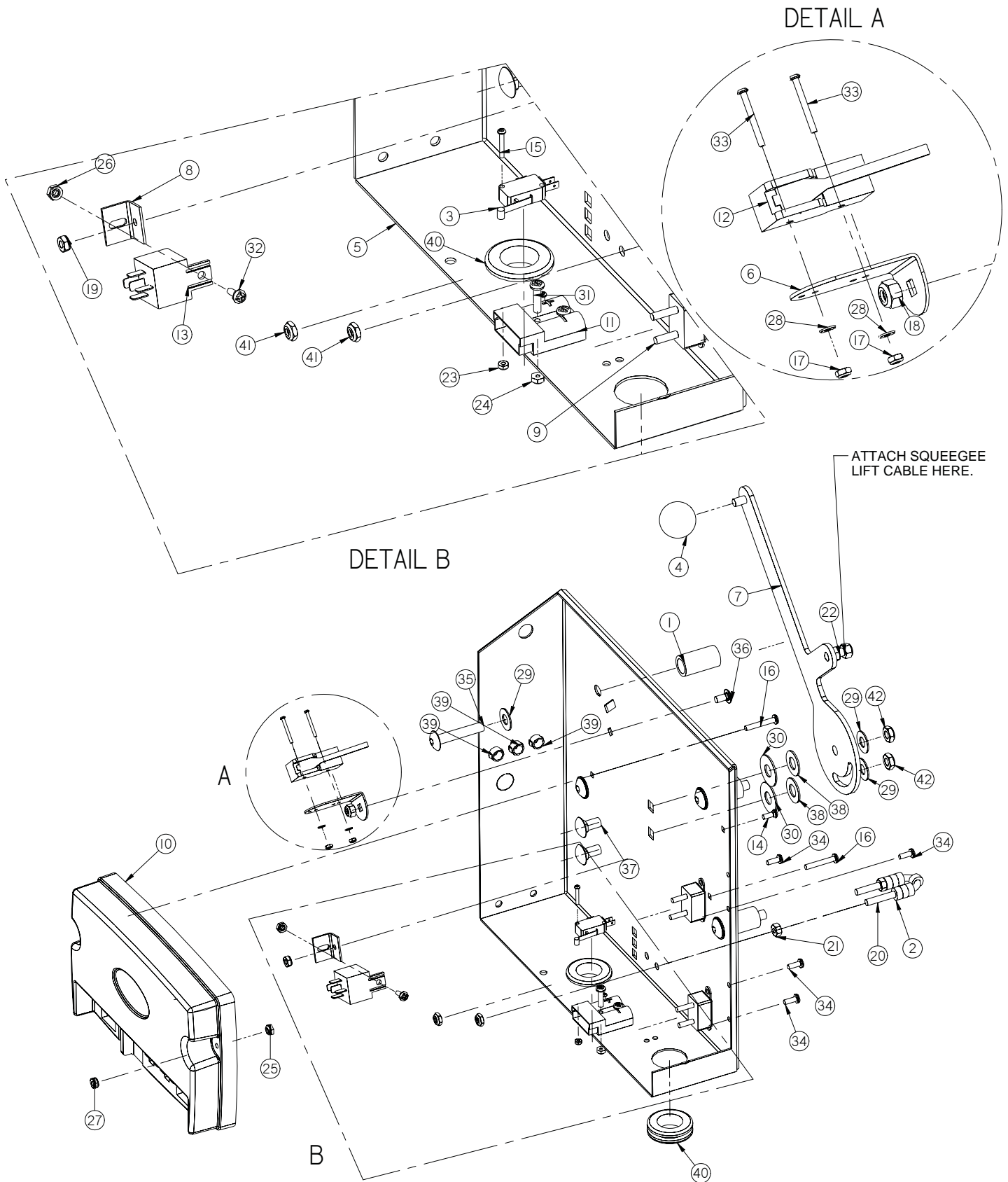
Item	Part Number	Part Description	Qty
1	190-1055	TUBE, 5/16" ID X 7/16" OD X 1-5/8" LG	2
2	21-7570	BACK UP WHEEL (GREY)	2
3	253-7140	SQUEEGEE SWING PLATE	1
4	253-7150	SQUEEGEE TRAIL ARM	1
5	253-7160	SQUEEGEE WHEEL AXLE	1
6	253-7220	SQUEEGEE TRAIL MOUNT	1
7	253-7610	SQUEEGEE TRIANGLE PLATE	1
8	253-7890	SQUEEGEE LIFT CABLE, 27-5/8"	1
9	290-5787	STAR KNOB, 3/8-24 THREAD	1
10	4-446	GROMMET-3/8 ID X 1-1/2 OD X .375	5
11	H-00283	FW 1/4" NYLON	4
12	H-0171004	JNYL 3/8- 24 SS	2
13	H-10097811	5/16-18 X 5" DOUBLE ENDED STUD S/S	1
14	H-111	SPRING, 1/2" ID X 2-1/2" LG	1
15	H-4440024	FW 3/8" X 3/4" NYLON	3
16	H-70142	HCS 3/8"- 24 X 1" S/S	1
17	H-70860	NYLOK 1/4"- 20 SS	2
18	H-70861	NYLOK 5/16" - 18 SS	2
19	H-70862	NYLOK 3/8"-16 SS	2
20	H-71017	FW 3/8" X 7/8" SS	6
21	H-71067	LW 3/8" SS	1
22	H-71217	FNW 3/8" X 1-1/2" SS	4
23	H-74438	CB 3/8"- 16 X 1-1/2" SS	2
24	H-74441	CB 3/8"- 16 X 3.0" SS	1
25	H-92865A227	HCS 3/8"- 24 X 3.5" SS	1
26	H-96544	SPRING, 4-1/8" LG, 9/16 OD, (42E)	2
27	H-98025	FW 3/8" GRADE 8	4
28	H-NJ06C	JNYL 3/8- 16 SS	1

# 24 Control Panel Assembly



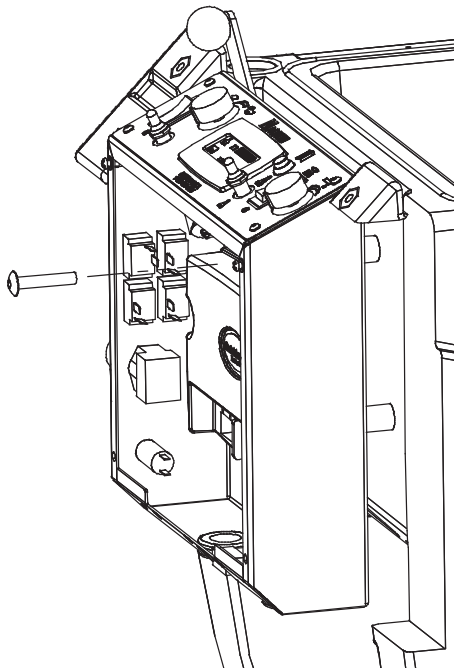
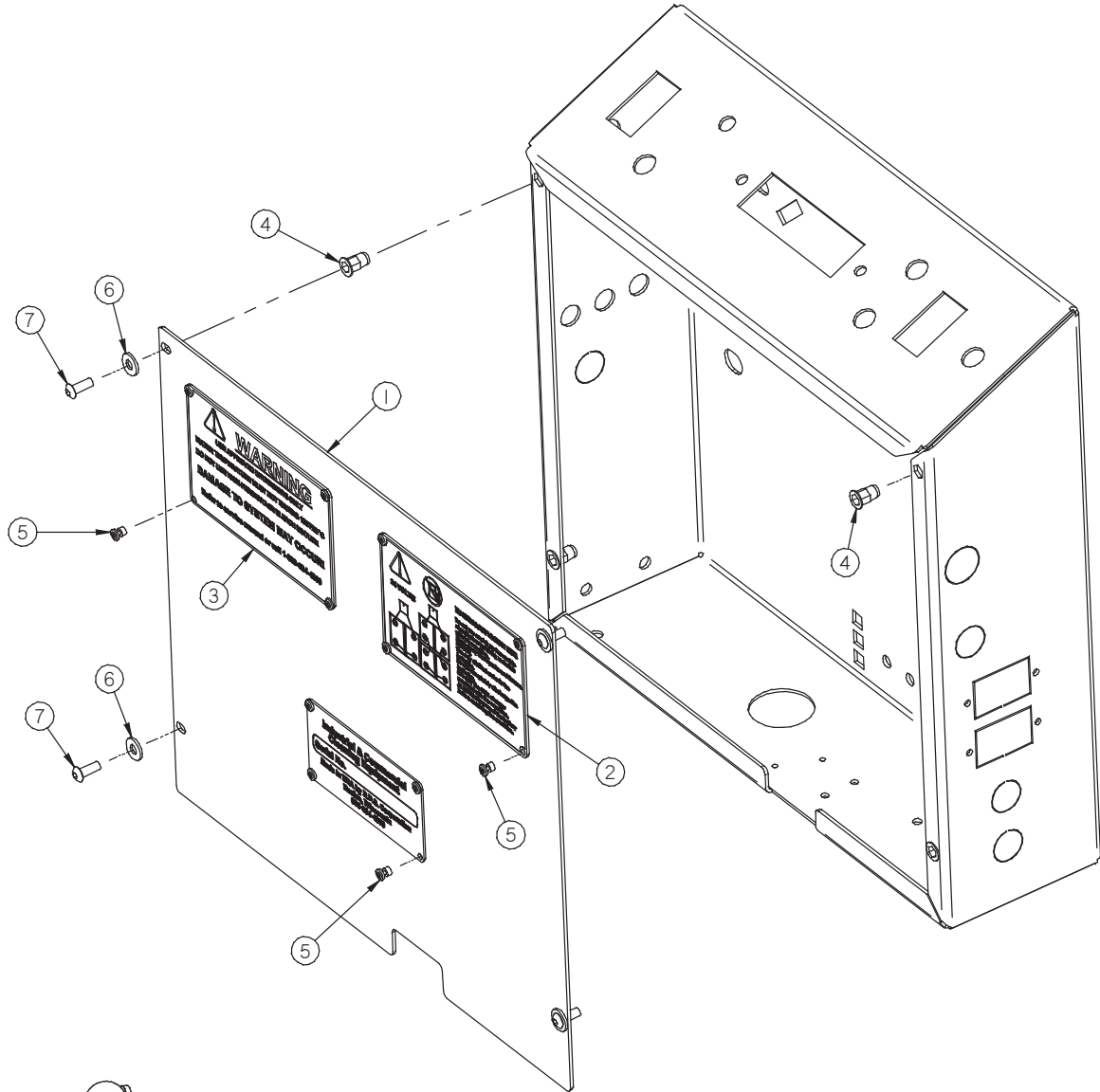


Item	Part Number	Part Description	Qty	Options
1	21-4520	SPEED CONTROL KNOB, RED	1	
2	253-2006	CONTROL PANEL COVER	1	
3	253-2010	CONTROL PANEL BOX	1	
4	253-2011	CONTROL PANEL DECAL	1	
5	253-2017	SUDS/SPRAY STICKER	1	
6	253-2300	CHARGER STATUS INDICATOR	1	
7	290-234	KEY SWITCH	3	OPTIONAL
8	290-234A	KEY SET (REPLACE)	3	OPTIONAL
9	290-289I	LCD SCREEN	1	
10	370-2830	SWITCH, TOGGLE, MOM/OFF/MOM (DPDT)	3	
11	370-2831	SWITCH, TOGGLE, ON/OFF/ON (DPDT)	1	
12	370-7204	METER STICKER	1	
13	370-8210	SWITCH, TOGGLE, ON/ON (DPDT)	1	
14	370-8920	TOGGLE, ON-OFF SPST	5	OPTIONAL
15	5-234	SWITCH, ROCKER, DPDT, ON/ON	1	
16	5-300	EMERGENCY SHUT OFF	1	OPTIONAL
17	5-301	EMERGENCY LEGEND PLATE	1	OPTIONAL
18	5-302	EMERGENCY CONTACT BLACK	1	OPTIONAL
19	7-229	PUSH BUTTON SWITCH	1	
20	7-292	5K POTENTIOMETER	1	
21	8-231	SWITCH, ON-OFF ROCKER SPST	1	
22	8-262	HOUR METER	2	
23	H-1032HCN	HCN #10-32	2	
24	H-11196	PROTECTIVE BOOT, TOGGLE SWITCH, (RED)	1	
25	H-11197	PROTECTIVE BOOT, TOGGLE SWITCH, (YELLOW)	1	OPTIONAL
26	H-11198	PROTECTIVE BOOT, TOGGLE SWITCH, (GREEN)	1	
27	H-11199	PROTECTIVE BOOT, TOGGLE SWITCH, (BLUE)	2	OPTIONAL
28	H-11200	PROTECTIVE BOOT, TOGGLE SWITCH, (BLACK)	2	
29	H-11201	PROTECTIVE BOOT, TOGGLE SWITCH, (GRAY)	1	OPTIONAL
30	H-11202	PROTECTIVE BOOT, TOGGLE SWITCH, (ORANGE)	1	OPTIONAL
31	H-11205	PROTECTIVE BOOT, TOGGLE SWITCH, (LIGHT BLUE)	1	OPTIONAL
32	H-41007	AB4-3A BLIND RIVET	12	
33	H-71009	FW #10 SS	4	
34	H-73743	BHSCS 10-32 X 1/2" SS	2	
35	M-9307K22	GROMMET, RUBBER 3/8 ID X 7/8 OD X 5/16 TH.	1	

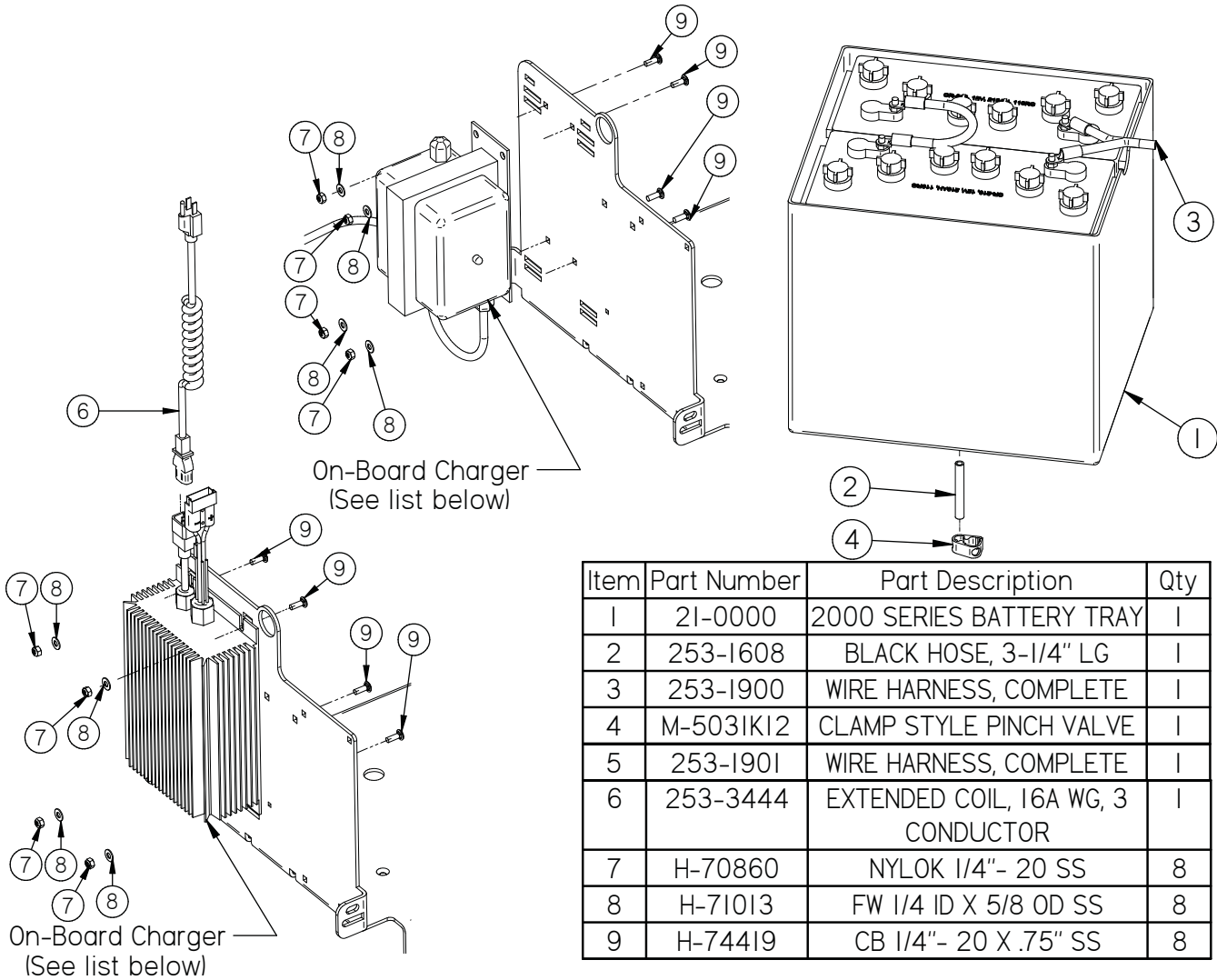


Item	Part Number	Part Description	Qty	Options
1	170-2700	SPACER, 1-1/2" LG	1	
2	21-2211	SPACER 1/2 OD X 1/4"	7	
3	21-2230	MICRO SWITCH	1	OPTIONAL
4	21-7101	LIFT KNOB	1	
5	253-2010	CONTROL PANEL BOX	1	
6	253-2020	BRACKET, LIMIT SWITCH	1	
7	253-7100	SQUEEGEE LIFT LEVER	1	
8	290-2020	BRACKET	1	
9	290-2815	CIR. BREAKER - 15A, 24V	1	
10	390-2899	CONTROLLER V4	1	
11	4-257	CONNECTOR, RED 50, WITH CONTACTS	1	
12	5-223	LIMIT SWITCH	1	
13	5-293	15 AMP RELAY	1	
14	H-0172518	CB #10-32 X 1/2" SS	1	
15	H-28667	PHP MS 4-40 X 3/4"	2	
16	H-29049	PPH #10-32 X 1/2"	2	
17	H-37006	NYLOK #4-40	2	
18	H-37018	NYLOK 1/4"-20	1	
19	H-37408	KN #10-32	1	
20	H-42003	U-BOLT, 1/4-20 X 3/4" ID X 2-1/4" LG, S/S	1	
21	H-70710	HN 1/4"- 20 SS	2	
22	H-70711	HN 5/16"- 18 SS	1	
23	H-70854	NYLOK #4-40 SS	2	
24	H-70855	NYLOK #6-32 SS	2	
25	H-70858	NYLOK #10-32 SS	2	
26	H-70922	KN #8-32	1	
27	H-70923	KN #10-32 SS	2	
28	H-71004	FW 1/8" X 5/16" SS	2	
29	H-71017	FW 3/8 ID X 7/8 OD SS	6	
30	H-71021	FW 1/2 ID X 1-1/4 OD SS	2	
31	H-72388	PPH #6-32 X 3/4" SS	2	
32	H-72398	PPH #8-32 X 1/2" S/S	1	
33	H-72494	PPH #4-40 X 1" S/S	2	
34	H-72515	PPH #10-32 X 1/2" S/S	4	
35	H-73819	BHSCS 3/8"- 16 X 2" S/S	4	
36	H-74417	CB 1/4"- 20 X .5" SS	1	
37	H-74444	CB 3/8"- 16 X 3/4" SS	2	
38	H-76065	FW 1/2" NYLON	2	
39	H-85985	HOLE PLUG 1/2"	3	OPTIONAL
40	H-9307K74	GROMMET, 1" ID X 1-3/4" OD BUNA-N	2	
41	H-NJ04C	JNYL 1/4" - 20 SS	2	
42	H-NJ06C	JNYL 3/8- 16 SS	2	

# 28 Control Panel Assembly

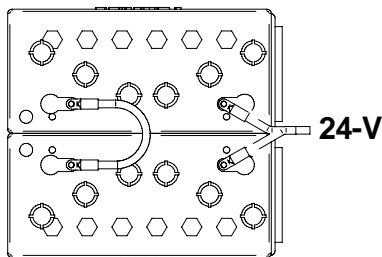


Item	Part Number	Part Description	Qty	Options
1	253-2006	CONTROL PANEL COVER	1	
2	253-7280	EXPLOSION WARNING PLATE	1	
3	5-728	DETERGENT WARNING PLATE	1	
4	H-1032HCN	HCN #10-32	4	
5	H-41007	AB4-3A BLIND RIVET	12	
6	H-71009	FW #10 SS	4	
7	H-73743	BHSCS 10-32 X 1/2" SS	4	

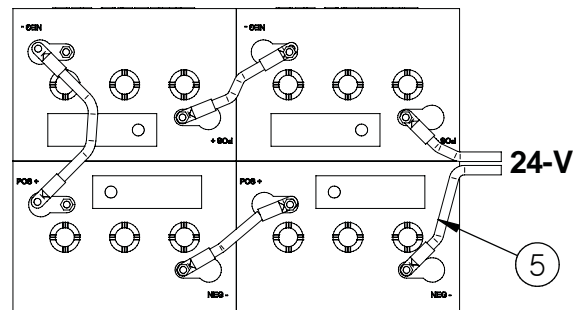


WHICH BATTERY CHARGER TO USE WITH BATTERY SELECTION				
Battery Part Number & Description	Off-Board Charger North American	Off-Board Charger Export	On-Board Charger North American	On-Board Charger Export
2-271 (12V, 210 AH)	21-2440	21-2442	253-2450	253-2451
250-2113 (6V, 240 AH)	21-2440	21-2442	253-2450	253-2451
370-2117 (6V, 305 AH)	7-244	7-251	N/A	N/A
250-2114 (6V, 260 AH, M.F.)	21-2450	21-2451	253-2450	253-2451
250-2112 (6V, 325 AH, M.F.)	21-2450	21-2451	253-2450	253-2451
253-2110 (12V, 175 AH)	21-2440	21-2442	253-2450	253-2451

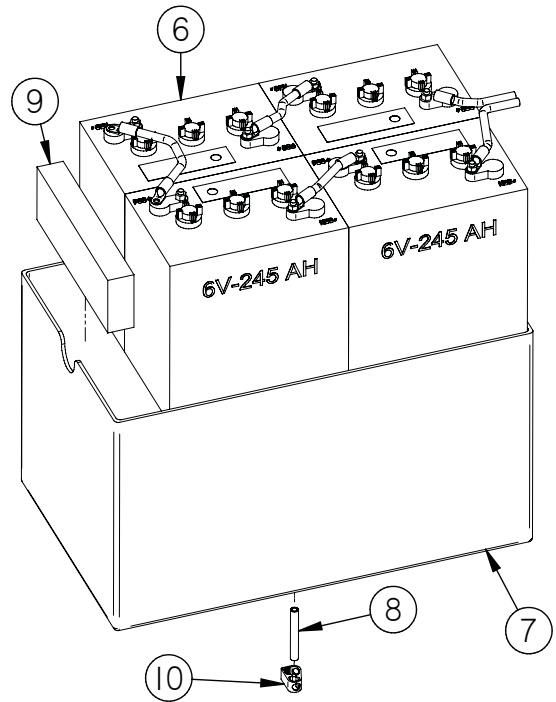
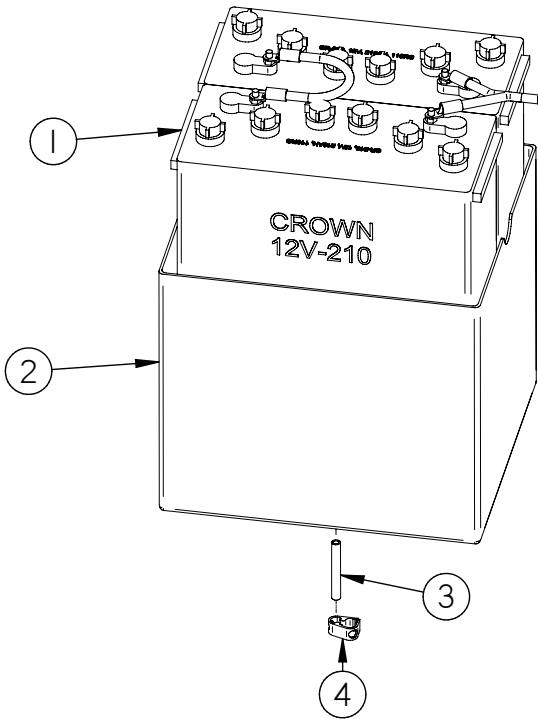
Note: Japan & Korea are not included for list above.



(2) 12-V BATTERY WIRING DIAGRAM



(4) 6-V BATTERY WIRING DIAGRAM



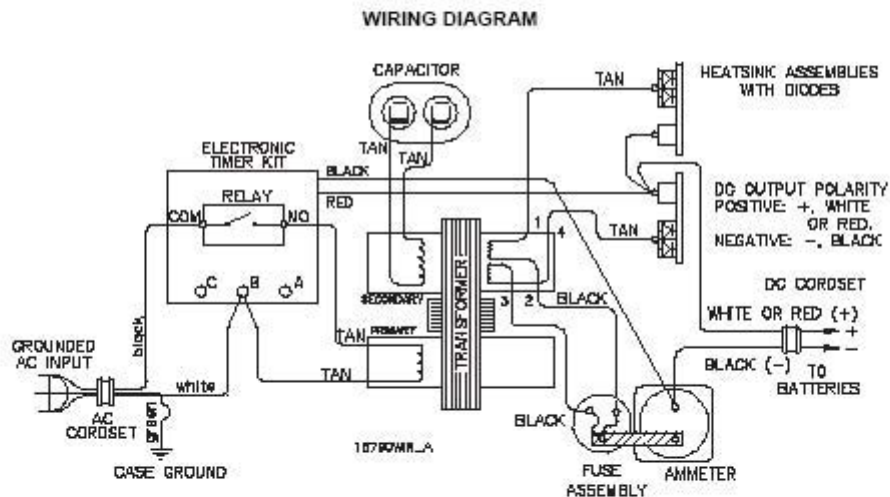
Item	Part Number	Part Description	Optional P/N	Optional Description	Qty
1	2-271	BATTERY, CR-210, 12 V, 210 AH, 110 RC	2-272	BATTERY, 12-V, 185 AH, AGM	2
2	21-0000	2000 SERIES BATTERY TRAY			1
3	253-1608	BLACK HOSE, 3-1/4" LG			1
4	M-503IK12	CLAMP STYLE PINCH VALVE			1

Item	Part Number	Part Description	Optional P/N	Optional Description	Qty
6	250-2110	BATTERY 6 V 245 AH	250-2112 250-2114	BATTERY, 6-V, 305 AH, AGM BATTERY, 6-V, 250 AH, AGM	4
7	253-1480	MAGNUM SERIES BATTERY TRAY			1
8	253-1608	BLACK HOSE, 3-1/4" LG			1
9	290-1490	BATTERY SPACER, 11.0"			1
10	M-503IK12	CLAMP STYLE PINCH VALVE			1

WHICH BATTERY CHARGER TO USE WITH BATTERY SELECTION				
Battery Part Number & Description	Off-Board Charger North American	Off-Board Charger Export	On-Board Charger North American	On-Board Charger Export
2-271 (12V, 210 AH)	21-2440	21-2442	253-2450	253-2451
250-2113 (6V, 240 AH)	21-2440	21-2442	253-2450	253-2451
370-2117 (6V, 305 AH)	7-244	7-251	N/A	N/A
250-2114 (6V, 260 AH, M.F.)	21-2450	21-2451	253-2450	253-2451
250-2112 (6V, 325 AH, M.F.)	21-2450	21-2451	253-2450	253-2451
253-2110 (12V, 175 AH)	21-2440	21-2442	253-2450	253-2451

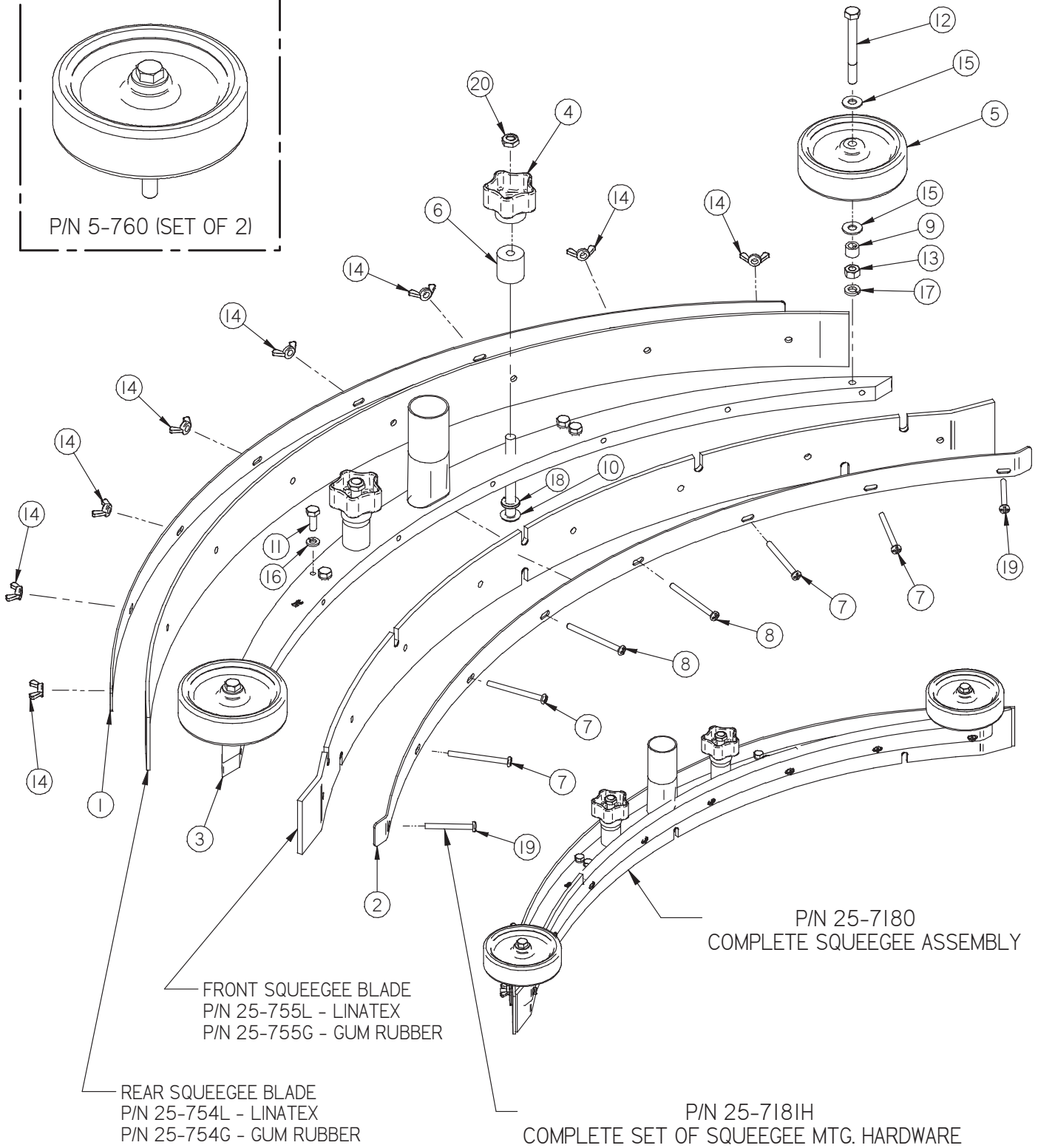
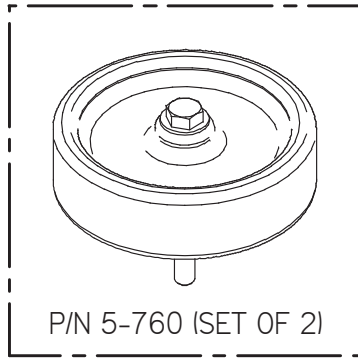


## 7-244 CHARGER PARTS LIST



PART NO.	QTY.	DESCRIPTION
7-244A	1	CASE ASSEMBLY
7-224TR	1	TRANSFORMER ASSEMBLY
7-244B	1	CAPACITOR, 6 MFD, 660 VAC
7-244H	2	HEATSINK ASSEMBLY W/ 2 DIODES IN PARALLEL
7-244F	1	FUSE ASSEMBLY
7-244G	1	AMMETER, 50 AMP, W/ CORNER MOUNTING STUDS
7-244T	1	ELECTRONIC, TIMER ASSEMBLY
7-244C	1	CORDSET BUSHING, 7W-2, FOR INPUT CORDSET
7-244D	1	CORDSET BUSHING, 8P-2, FOR OUTPUT CORDSET
7-244E	1	AC CORDSET, 14/3, 86" W/ 125V/15A PLUG
7-244J	1	DC CORDSET, 10/2, 108", W/ SB50 RED PLUG
7-244K	1	DC CORDSET, 10/2, 108", W/ SB175 RED PLUG

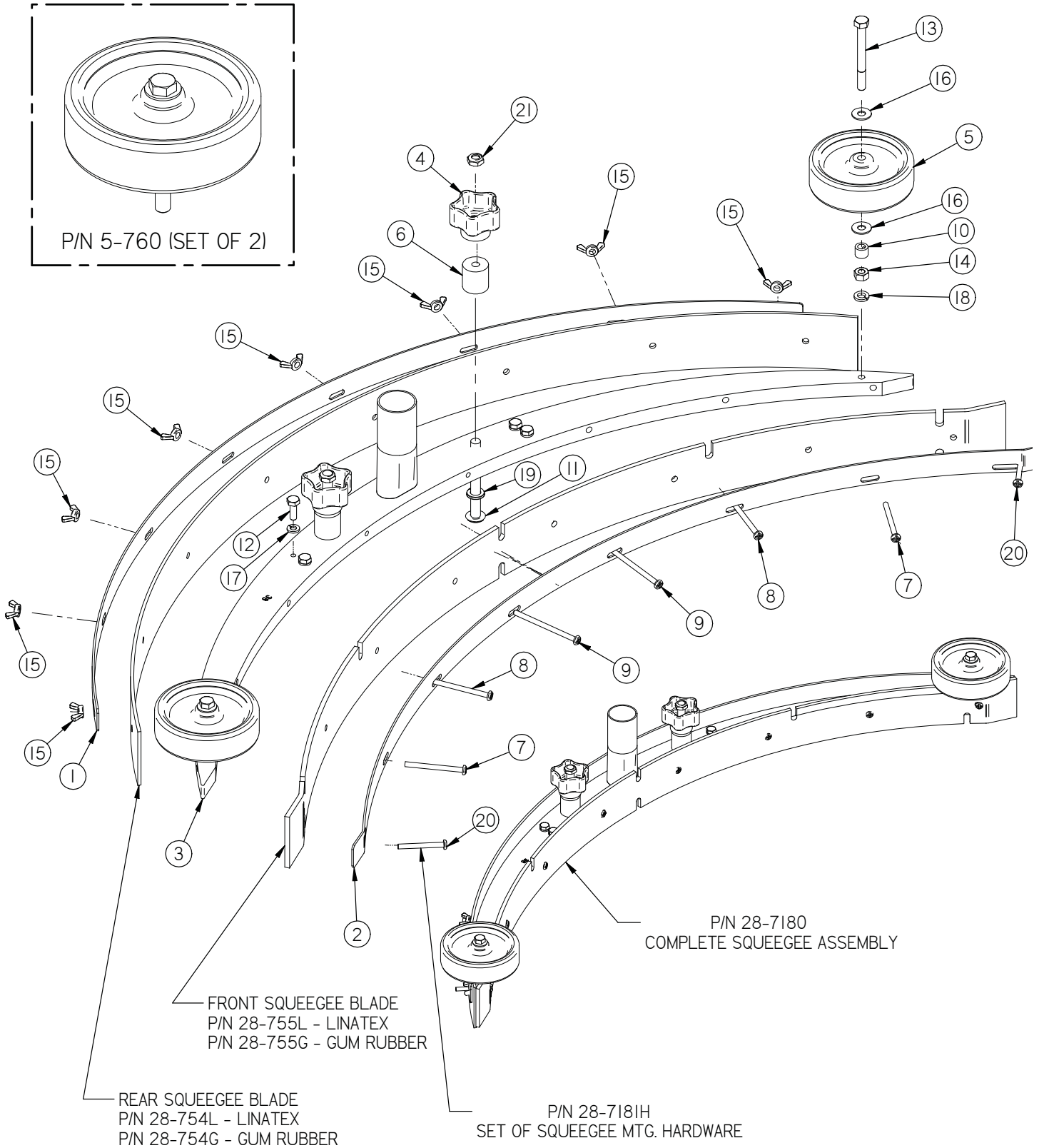
# 32 35 Inch Squeegee Assembly





Item	Part No.	Part Description	Qty
1	25-7160	SQUEEGEE BAND, REAR	1
2	25-7170	SQUEEGEE BAND, FRONT	1
3	25-7181	35" SQUEEGEE BODY	1
4	290-5786	STAR KNOB, 3/8-16 THREAD	2
5	5-760B	4" SIDE WHEEL (GREY)	2
6	5-846	STANDOFF, 1.03"	2
7	H-00249	PPH #10-32 X 2 1/4" SS	4
8	H-00288	PPH #10-32 X 2 1/2" SS	2
9	H-33371	5/16" ID SHAFT COLLAR	2
10	H-37350	BHSCS 3/8"- 16 X 3-1/2" S/S	2
11	H-70003	HCS 1/4"- 20 X 3/4" SS	4
12	H-70065	HCS 5/16"- 18 X 3" SS	2
13	H-70711	HN 5/16"- 18 SS	2
14	H-70908	WINGNUT 10-32 SS	8
15	H-71015	FW 5/16" X 3/4" SAE SS	4
16	H-71063	LW 1/4" SS	4
17	H-71065	LW 5/16" SS	2
18	H-71067	LW 3/8" SS	2
19	H-72555	PPH #10-32 X 1 3/4" SS	2
20	H-NJ06C	JNYL 3/8- 16 SS	2

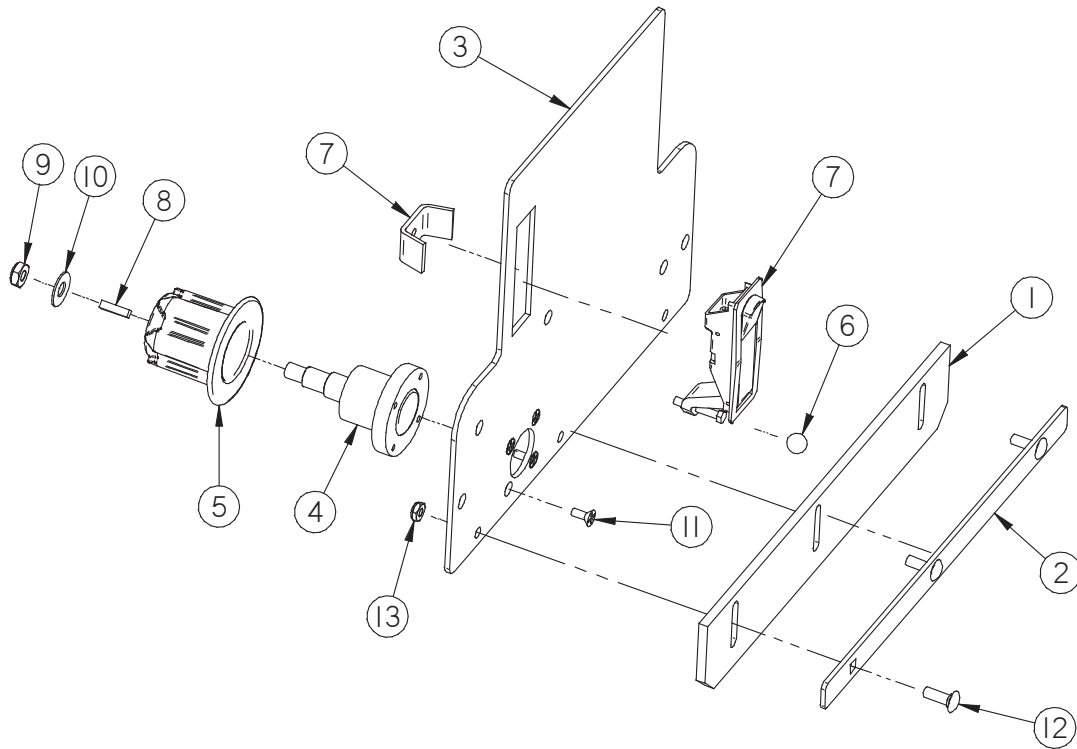
# 34 38 Inch Squeegee Assembly



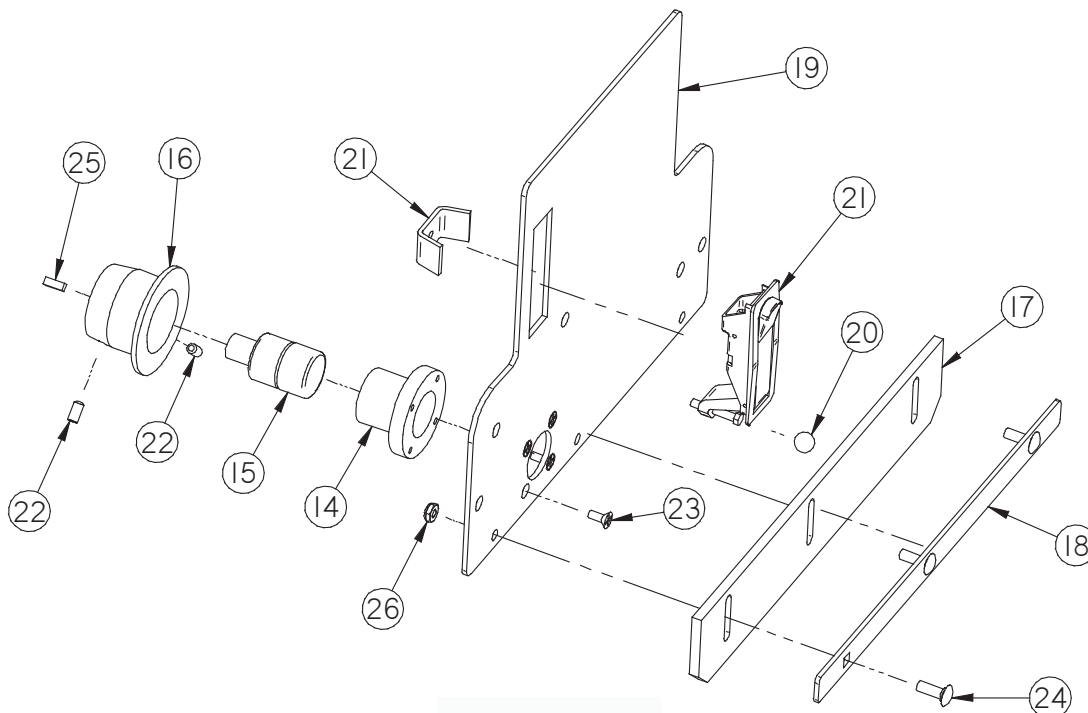
Item	Part No.	Part Description	Qty.
1	28-7160	38" SQUEEGEE BAND, REAR	1
2	28-7170	38" SQUEEGEE BAND, FRONT	1
3	28-7181	38" SQUEEGEE BODY	1
4	290-5786	STAR KNOB, 3/8-16 THREAD	2
5	5-760B	4" SIDE WHEEL (GREY)	2
6	5-846	STANDOFF, 1.03"	2
7	H-00249	PPH #10-32 X 2 1/4" SS	2
8	H-00288	PPH #10-32 X 2 1/2" SS	2
9	H-0170368	PPH #10-32 X 3.0" SS	2
10	H-33371	5/16" ID SHAFT COLLAR	2
11	H-37350	BHSCS 3/8"- 16 X 3-1/2" S/S	2
12	H-70003	HCS 1/4"- 20 X 3/4" SS	4
13	H-70065	HCS 5/16"- 18 X 3" SS	2
14	H-70711	HN 5/16"- 18 SS	2
15	H-70908	WINGNUT 10-32 SS	8
16	H-71015	FW 5/16" X 3/4" SAE SS	4
17	H-71063	LW 1/4" SS	4
18	H-71065	LW 5/16" SS	2
19	H-71067	LW 3/8" SS	2
20	H-72555	PPH #10-32 X 1 3/4" SS	2
21	H-NJ06C	JNYL 3/8- 16 SS	2

# CYLINDRICAL DOOR ASSEMBLY

"NEW STYLE" DOOR ASSEMBLY SERIAL #50000 & GREATER



"OLD STYLE" DOOR ASSEMBLY PRIOR TO SERIAL #50000



# CYLINDRICAL DOOR ASSEMBLY

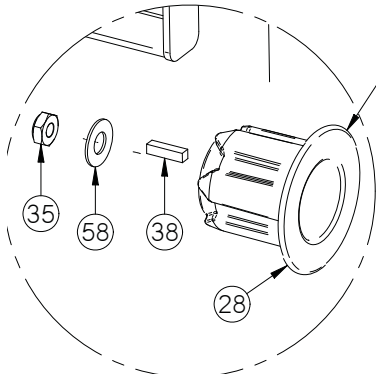
"NEW STYLE" DOOR ASSEMBLY SERIAL #50000 & GREATER

Item	Part Number	Part Description	Qty
1	253-9010	CYLINDRICAL WIPER	1
2	253-9015	WIPER BAND	1
3	253-9022	DRIVE COVER	1
4	370-8241A	IDLER DRIVE BEARING	1
5	370-8370	BRUSH DRIVER/IDLER (NEW STYLE)	1
6	5-100	GROMMET	1
7	5-130	DOOR LATCH	1
8	H-00270	3/16" X 3/4" KEY	1
9	H-0171004	JNYL 3/8- 24 SS	1
10	H-71017	FW 3/8" X 7/8" SS	1
11	H-72682	FHP #10-32 X 1/2" SS	4
12	H-74419	CB 1/4"- 20 X .75" SS	3
13	H-NJ04C	JNYL 1/4" - 20 SS	3

"OLD STYLE" DOOR ASSEMBLY PRIOR TO SERIAL #50000

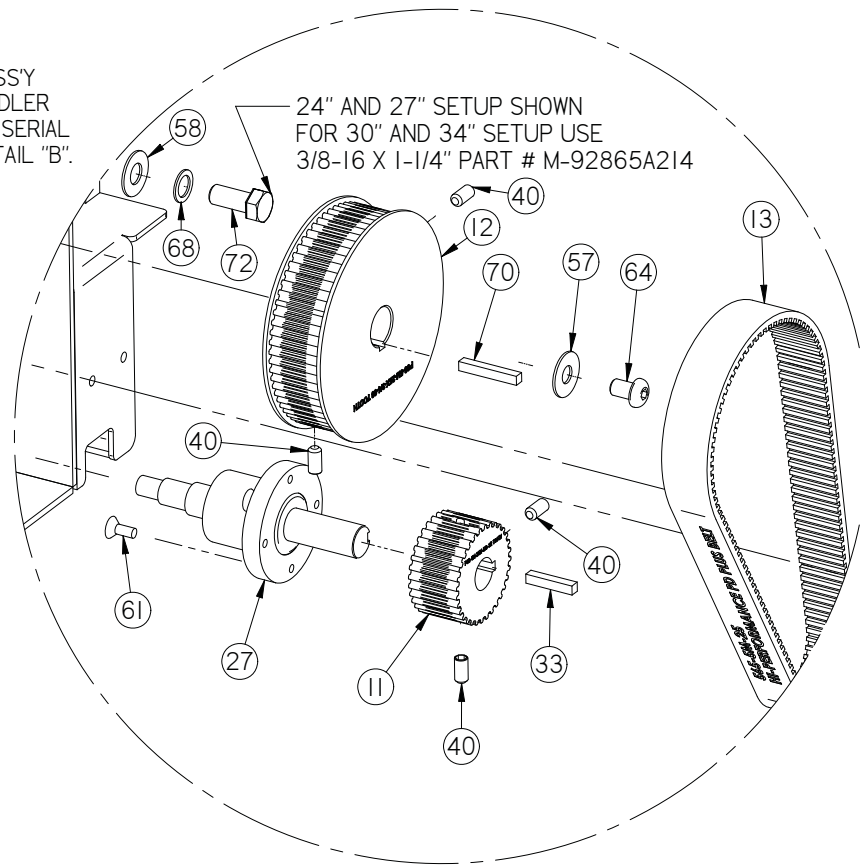
Item	Part Number	Part Description	Qty
14	I-305	BEARING HOUSING	1
15	253-8241	IDLER BEARING	1
16	253-8370	CYLINDRICAL BRUSH IDLER	1
17	253-9010	CYLINDRICAL WIPER	1
18	253-9015	WIPER BAND	1
19	253-9022	DRIVE COVER	1
20	5-100	GROMMET	1
21	5-130	DOOR LATCH	1
22	H-25382	SETSCREW, KCP, 1/4"-20 X 1/2"	2
23	H-72682	FHP #10-32 X 1/2" SS	4
24	H-74419	CB 1/4"- 20 X .75" SS	3
25	H-K1432	3/16" X 1/2" KEY	1
26	H-NJ04C	JNYL 1/4" - 20 SS	3

# 38 Cylindrical Deck Assembly



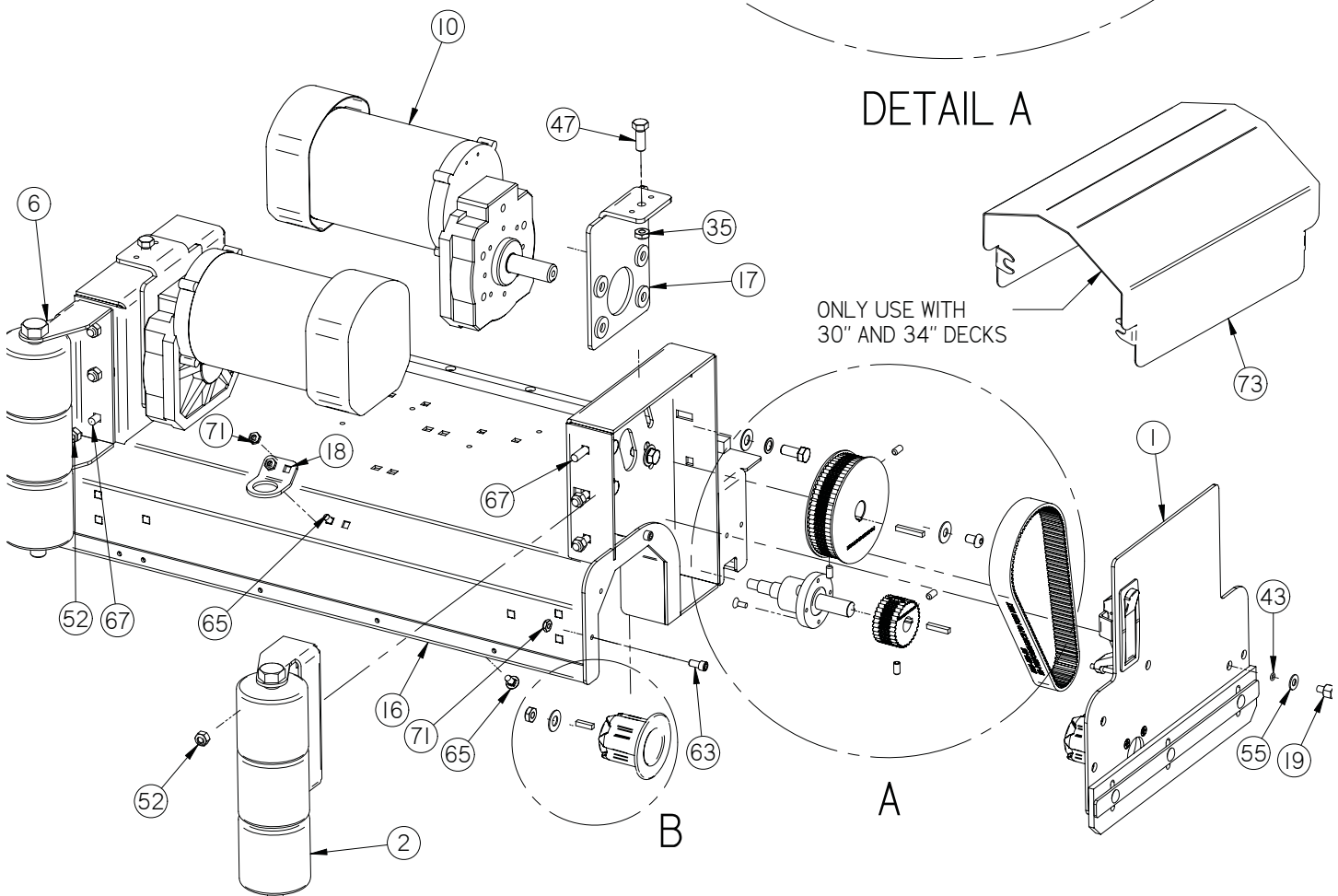
DETAIL B

NOTE:  
SEE CYL DOOR ASS'Y  
FOR OLD STYLE IDLER  
SETUP PRIOR TO SERIAL  
#50000 FOR DETAIL "B".



DETAIL A

Machines that were build prior to serial number 50000 use this setup.



ONLY USE WITH  
30" AND 34" DECKS

		STAINLESS	PAINTED	STAINLESS	PAINTED	STAINLESS	PAINTED	STAINLESS	PAINTED	STAINLESS	
1	CYLINDRICAL DOOR ASSEMBLY										2
2	ROLLER	21-1127									6
3	SPACER 1/2 OD X 1/4"	21-2211									2
4	ADJUSTABLE SOLUTION FLOW VALVE	21-4500									1
5	HOPPER RAIL	22-8320	22-8320	25-8320	25-8320	28-8320	28-8320	32-8320	32-8320		1
6	ROLLER BRACKET	253-1128									2
7	1/2" ID X 2-3/4" LG WIRE REINF. CLEAR TUBE	253-1606									1
8	1/2" ID X 12-1/4" LG WIRE REIF. CLEAR TUBE	253-1607									1
9	1/2" ID X 12-1/4" LG WIRE REINF. CLEAR TUBE	253-1607									1
10	MOTOR, 24V, 3/4 HP, 350 RPM	253-211	253-211	253-211	253-211	253-2222	253-2222	253-2222	253-2222		2
11	TIMING SPROCKET 32 TOOTH	253-8215									2
12	TIMING SPROCKET 68 TOOTH	253-8225									2
13	565-5M-25 HI-PERFORMANCE PD PLUS BELT	253-8230									2
14	DRIVE BEARING	253-8240									1
15	ADJUSTABLE LATERAL ARM BODY	253-8435									2
16	CYLINDRICAL BRUSHHEAD, 24"	253-9000	253-5000	253-9027	253-5027	253-9030	253-5030	253-9034	253-5034		1
17	MOTOR ADJ BRACKET	253-9002									2
18	QUICK DISCONNECT BRACKET	253-9003									1
19	THUMB SCREW	253-9024									2
20	24" HOPPER	253-9050	253-5050	253-9051	253-5051	253-9052	253-5052	253-9053	253-5053		1
21	CYLINDRICAL LIFTING BRACKET, LH, 24"	253-9070	253-9070	253-9072	253-9072	253-9074	253-9074	253-9076	253-9076		1
22	CYLINDRICAL LIFTING BRACKET, RH, 24"	253-9071	253-9071	253-9073	253-9073	253-9075	253-9075	253-9077	253-9077		1
23	SCRUBDECK LIFT ARM, CYLINDRICAL	253-9590									1
24	3/8" ID, 1/2" OD, 1/4" LG BEARING	290-1233									8
25	ROD END, 3/8-24 LEFT HAND THREAD	290-9584									2
26	ROD END, 3/8-24 RIGHT HAND THREAD	290-9585									2
27	BEARING HOUSING/BEARING	370-8240A									2
28	BRUSH DRIVER/IDLER (NEW STYLE)	370-8370									2
29	BATTERY QUICK DISCONNECT	390-2575									1
30	GROMMET-3/8 ID X 1-1/2 OD X .375	4-446									6
31	RECESSED HANDLE	5-849									1
32	INLINE FILTER	5-913									1
33	3/16" X 1" KEY	H-01125									2
34	JNYL #10-32, 18-8 S/S	H-0129155									13
35	JNYL 3/8- 24 SS	H-0171004									4
36	BHSCS 1/4 - 20 X 1" SS W/PELLET	H-02223									2
37	3/8 ID X 5/8 OD SHIM	H-02949									4
38	3/16" X 3/4" KEY	H-0953152									2
39	HB 5/8"- 11 X 10"	H-11333									2
40	SETScrew, KCP, 1/4"-20 X 1/2"	H-25382									8
41	LH HX JAM .375-24 SS	H-36956									2
42	JNYL 5/8"- 11	H-37038									2
43	O-RING, 3/16" X 5/16" X #8 BUNA	H-66802									2
44	HCS 1/4"-20 X 1/2 SS"	H-70001									1
45	HCS 3/8"- 16 X 1-1/2" SS	H-70109									2
46	HCS 3/8"- 16 X 1-3/4" SS	H-70110									2
47	HCS 3/8"- 24 X 1" S/S	H-70142									2
48	HN 3/8"-16 SS	H-70712									2
49	HN 1/4"- 28 SS	H-70730									1
50	HX JAM .375-24 SS	H-70832									2
51	NYLOK 1/4"- 20 SS	H-70860									1
52	NYLOK 5/16" - 18 SS	H-70861									16
53	NYLOK 3/8"-16 SS	H-70862									4
54	KN #10-32 SS	H-70923									2
55	FW 1/4 ID X 5/8 OD SS	H-71013									2
56	FW 5/16 ID X 3/4 OD SS	H-71015									5
57	FW 5/16 ID X 7/8 OD SS	H-71016									2
58	FW 3/8 ID X 7/8 OD SS	H-71017									16
59	LW 3/8" SS	H-71067									6
60	PPH #10-32 X 3/4" S/S	H-72534									2
61	FHP #10-32 X 1/2" SS	H-72682									8
62	FHP 10-32 X 3/4" SS	H-72684									6
63	SHCS 1/4-20 X 1/2 SS	H-73459									4
64	BHSCS 5/16-18 X 1/2"	H-73777									2
65	CB 1/4"- 20 X .5" SS	H-74417									4
66	CB 5/16"- 18 X 3/4" SS	H-74429									10
67	CB 5/16"- 18 X 1" SS	H-74430									6
68	WASHER, SERRATED BELLEVILLE, 3/8", S/S	H-90895									8
69	FW 3/8" GRADE 8	H-98025									10
70	3/16" X 1 1/4" KEY	H-K14320									2
71	JNYL 1/4" - 20 SS	H-NJ04C									9
72	HCS 3/8"-24 X 7/8" SS	M-92865A214									8
73	GROMMET, 3/4" ID X 1-3/8" OD BUNA-N	M-9307K8I									2
74	3/4" DIA I HOLE TUBE STRAP	M-9434T27									1
73	MOTOR COVER	253-2221									1

**NOTE:** ALL DECK SIZES USE THE SAME PARTS UNLESS OTHERWISE INDICATED IN COLUMNS ABOVE.

\* (**OPTIONAL**) HD PACKAGE FOR 27" DECKS USE MOTOR P/N 253-2222.

MOTOR P/N 253-2222 LISTED ABOVE IS 24-VOLT, 1 HP, 350 RPM. THIS MOTOR USE'S (8) HCS 3/8-16 X 1", P/N H-70105.

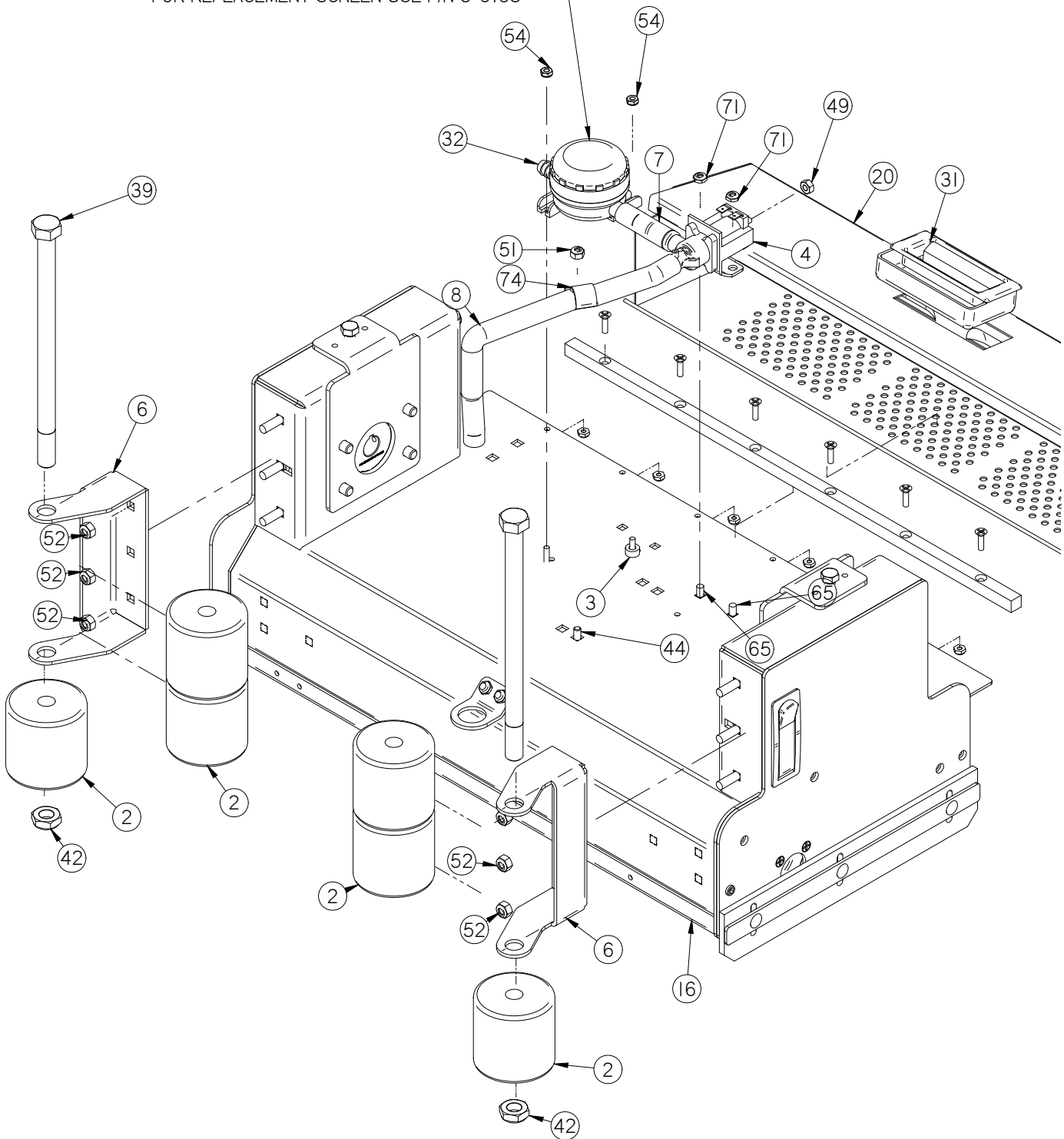
MOTOR COVER P/N 253-2221 IS ONLY USED WITH MOTOR P/N 253-2222.

SEE COMMON WEAR PARTS PAGE FOR BRUSH SELECTION.

SERIAL #50000 & GREATER

# 40 Cylindrical Deck Assembly

FOR REPLACEMENT SCREEN USE P/N 5-913S

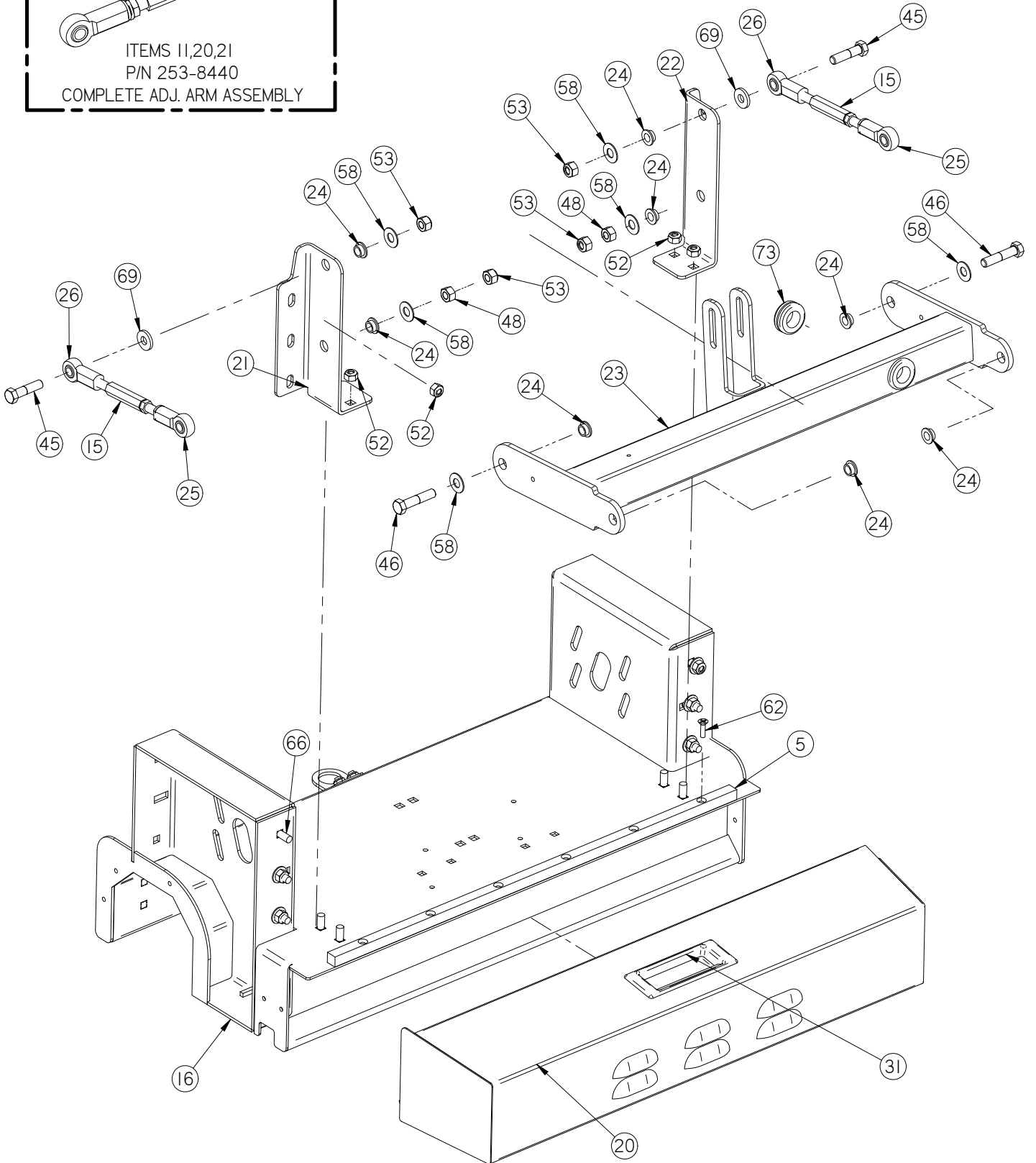
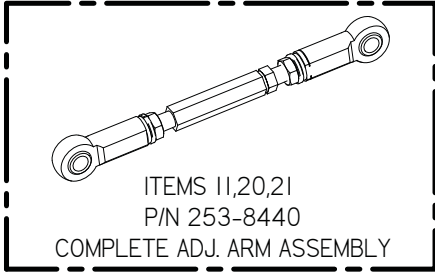




Item	Part Description	24" P/N PAINTED	24" P/N STAINLESS	27" P/N PAINTED	27" P/N STAINLESS	30" P/N PAINTED	30" P/N STAINLESS	34" P/N PAINTED	34" P/N STAINLESS	Qty
1	CYLINDRICAL DOOR ASSEMBLY									2
2	ROLLER	21-1127								6
3	SPACER 1/2 OD X 1/4"	21-2211								2
4	ADJUSTABLE SOLUTION FLOW VALVE	21-4500								1
5	HOPPER RAIL	22-8320	22-8320	25-8320	25-8320	28-8320	28-8320	32-8320	32-8320	1
6	ROLLER BRACKET	253-1128								2
7	1/2" ID X 2-3/4" LG WIRE REINF. CLEAR TUBE	253-1606								1
8	1/2" ID X 12-1/4" LG WIRE REINF. CLEAR TUBE	253-1607								1
9	1/2" ID X 12-1/4" LG WIRE REINF. CLEAR TUBE	253-1607								1
10	MOTOR, 24V, 3/4 HP, 350 RPM	253-211	253-211	253-211	253-211	253-2222	253-2222	253-2222	253-2222	2
11	TIMING SPROCKET 32 TOOTH	253-8215								2
12	TIMING SPROCKET 68 TOOTH	253-8225								2
13	565-5M-25 HI-PERFORMANCE PD PLUS BELT	253-8230								2
14	DRIVE BEARING	253-8240								1
15	ADJUSTABLE LATERAL ARM BODY	253-8435								2
16	CYLINDRICAL BRUSH/HEAD, 24"	253-9000	253-5000	253-9027	253-5027	253-9030	253-5030	253-9034	253-5034	1
17	MOTOR ADJ BRACKET	253-9002								2
18	QUICK DISCONNECT BRACKET	253-9003								1
19	THUMB SCREW	253-9024								2
20	24" HOPPER	253-9050	253-5050	253-9051	253-5051	253-9052	253-5052	253-9053	253-5053	1
21	CYLINDRICAL LIFTING BRACKET, LH, 24"	253-9070	253-9070	253-9072	253-9072	253-9074	253-9074	253-9076	253-9076	1
22	CYLINDRICAL LIFTING BRACKET, RH, 24"	253-9071	253-9071	253-9073	253-9073	253-9075	253-9075	253-9077	253-9077	1
23	SCRUBDECK LIFT ARM, CYLINDRICAL	253-9590								1
24	3/8" ID, 1/2" OD, 1/4" LG BEARING	290-1233								8
25	ROD END, 3/8-24 LEFT HAND THREAD	290-9584								2
26	ROD END, 3/8-24 RIGHT HAND THREAD	290-9585								2
27	BEARING HOUSING/BEARING	370-8240A								2
28	BRUSH DRIVER/IDLER (NEW STYLE)	370-8370								2
29	BATTERY QUICK DISCONNECT	390-2575								1
30	GROMMET-3/8 ID X 1-1/2 OD X .375	4-446								6
31	RECESSED HANDLE	5-849								1
32	INLINE FILTER	5-913								1
33	3/16" X 1" KEY	H-01125								2
34	JNYL #10-32, 18-8 S/S	H-0129155								13
35	JNYL 3/8- 24 SS	H-0171004								4
36	BHSCS 1/4 - 20 X 1" SS W/PELLET	H-02223								2
37	3/8 ID X 5/8 OD SHIM	H-02949								4
38	3/16" X 3/4" KEY	H-0953152								2
39	HB 5/8"- 11 X 10"	H-11333								2
40	SETSCREW, KCP, 1/4"-20 X 1/2"	H-25382								8
41	LH HX JAM .375-24 SS	H-36956								2
42	JNYL 5/8"- 11	H-37038								2
43	O-RING, 3/16" X 5/16" X #8 BUNA	H-66802								2
44	HCS 1/4"-20 X 1/2 SS"	H-70001								1
45	HCS 3/8"- 16 X 1-1/2" SS	H-70109								2
46	HCS 3/8"- 16 X 1-3/4" SS	H-70110								2
47	HCS 3/8"- 24 X 1" S/S	H-70142								2
48	HN 3/8"-16 SS	H-70712								2
49	HN 1/4"- 28 SS	H-70730								1
50	HX JAM .375-24 SS	H-70832								2
51	NYLOK 1/4"- 20 SS	H-70860								1
52	NYLOK 5/16" - 18 SS	H-70861								16
53	NYLOK 3/8"-16 SS	H-70862								4
54	KN #10-32 SS	H-70923								2
55	FW 1/4 ID X 5/8 OD SS	H-71013								2
56	FW 5/16 ID X 3/4 OD SS	H-71015								5
57	FW 5/16 ID X 7/8 OD SS	H-71016								2
58	FW 3/8 ID X 7/8 OD SS	H-71017								16
59	LW 3/8" SS	H-71067								6
60	PPH #10-32 X 3/4" S/S	H-72534								2
61	FHP #10-32 X 1/2" SS	H-72682								8
62	FHP 10-32 X 3/4" SS	H-72684								6
63	SHCS 1/4-20 X 1/2 SS	H-73459								4
64	BHSCS 5/16-18 X 1/2"	H-73777								2
65	CB 1/4"- 20 X .5" SS	H-74417								4
66	CB 5/16"- 18 X 3/4" SS	H-74429								10
67	CB 5/16"- 18 X 1" SS	H-74430								6
68	WASHER, SERRATED BELLEVILLE, 3/8", S/S	H-90895								8
69	FW 3/8" GRADE 8	H-98025								10
70	3/16" X 1 1/4" KEY	H-K14320								2
71	JNYL 1/4" - 20 SS	H-NJ04C								9
72	HCS 3/8"-24 X 7/8" SS	M-92865A214								8
73	GROMMET, 3/4" ID X 1-3/8" OD BUNA-N	M-9307K81								2
74	3/4" DIA I HOLE TUBE STRAP	M-9434T27								1
73	MOTOR COVER	253-2221								1

NOTE: ALL DECK SIZES USE THE SAME PARTS UNLESS OTHERWISE INDICATED IN COLUMNS ABOVE.  
 \* (OPTIONAL) HD PACKAGE FOR 27" DECKS USE MOTOR P/N 253-2222.  
 MOTOR P/N 253-2222 LISTED ABOVE IS 24-VOLT, 1 HP, 350 RPM. THIS MOTOR USE'S (8) HCS 3/8-16 X 1", P/N H-70105.  
 MOTOR COVER P/N 253-2221 IS ONLY USED WITH MOTOR P/N 253-2222.  
 SEE COMMON WEAR PARTS PAGE FOR BRUSH SELECTION.

# 42 Cylindrical Deck Assembly



Item	Part Description	24" P/N PAINTED	24" P/N STAINLESS	27" P/N PAINTED	27" P/N STAINLESS	30" P/N PAINTED	30" P/N STAINLESS	34" P/N PAINTED	34" P/N STAINLESS	Qty
1	CYLINDRICAL DOOR ASSEMBLY									2
2	ROLLER	21-1127								6
3	SPACER 1/2 OD X 1/4"	21-2211								2
4	ADJUSTABLE SOLUTION FLOW VALVE	21-4500								1
5	HOPPER RAIL	22-8320	22-8320	25-8320	25-8320	28-8320	28-8320	32-8320	32-8320	1
6	ROLLER BRACKET	253-1128								2
7	1/2" ID X 2-3/4" LG WIRE REINF. CLEAR TUBE	253-1606								1
8	1/2" ID X 12-1/4" LG WIRE REIF. CLEAR TUBE	253-1607								1
9	1/2" ID X 12-1/4" LG WIRE REINF. CLEAR TUBE	253-1607								1
10	MOTOR, 24V, 3/4 HP, 350 RPM	253-211	253-211	253-211	253-211	253-2222	253-2222	253-2222	253-2222	2
11	TIMING SPROCKET 32 TOOTH	253-8215								2
12	TIMING SPROCKET 68 TOOTH	253-8225								2
13	565-5M-25 HI-PERFORMANCE PD PLUS BELT	253-8230								2
14	DRIVE BEARING	253-8240								1
15	ADJUSTABLE LATERAL ARM BODY	253-8435								2
16	CYLINDRICAL BRUSHHEAD, 24"	253-9000	253-5000	253-9027	253-5027	253-9030	253-5030	253-9034	253-5034	1
17	MOTOR ADJ BRACKET	253-9002								2
18	QUICK DISCONNECT BRACKET	253-9003								1
19	THUMB SCREW	253-9024								2
20	24" HOPPER	253-9050	253-5050	253-9051	253-5051	253-9052	253-5052	253-9053	253-5053	1
21	CYLINDRICAL LIFTING BRACKET, LH, 24"	253-9070	253-9070	253-9072	253-9072	253-9074	253-9074	253-9076	253-9076	1
22	CYLINDRICAL LIFTING BRACKET, RH, 24"	253-9071	253-9071	253-9073	253-9073	253-9075	253-9075	253-9077	253-9077	1
23	SCRUBDECK LIFT ARM, CYLINDRICAL	253-9590								1
24	3/8" ID, 1/2" OD, 1/4" LG BEARING	290-1233								8
25	ROD END, 3/8"-24 LEFT HAND THREAD	290-9584								2
26	ROD END, 3/8"-24 RIGHT HAND THREAD	290-9585								2
27	BEARING HOUSING/BEARING	370-8240A								2
28	BRUSH DRIVER/IDLER (NEW STYLE)	370-8370								2
29	BATTERY QUICK DISCONNECT	390-2575								1
30	GROMMET-3/8 ID X 1-1/2 OD X .375	4-446								6
31	RECESSED HANDLE	5-849								1
32	INLINE FILTER	5-913								1
33	3/16" X 1" KEY	H-01125								2
34	JNYL #10-32, 18-8 S/S	H-0129155								13
35	JNYL 3/8- 24 SS	H-0171004								4
36	BHSCS 1/4 - 20 X 1" SS W/PELLET	H-02223								2
37	3/8 ID X 5/8 OD SHIM	H-02949								4
38	3/16" X 3/4" KEY	H-0953152								2
39	HB 5/8"- 11 X 10"	H-11333								2
40	SETSCREW, KCP, 1/4"-20 X 1/2"	H-25382								8
41	LH HX JAM .375-24 SS	H-36956								2
42	JNYL 5/8"- 11	H-37038								2
43	O-RING, 3/16" X 5/16" X #8 BUNA	H-66802								2
44	HCS 1/4"-20 X 1/2 SS"	H-70001								1
45	HCS 3/8"- 16 X 1-1/2" SS	H-70109								2
46	HCS 3/8"- 16 X 1-3/4" SS	H-70110								2
47	HCS 3/8"- 24 X 1" S/S	H-70142								2
48	HN 3/8"-16 SS	H-70712								2
49	HN 1/4"- 28 SS	H-70730								1
50	HX JAM .375-24 SS	H-70832								2
51	NYLOK 1/4"- 20 SS	H-70860								1
52	NYLOK 5/16" - 18 SS	H-70861								16
53	NYLOK 3/8"-16 SS	H-70862								4
54	KN #10-32 SS	H-70923								2
55	FW 1/4 ID X 5/8 OD SS	H-71013								2
56	FW 5/16 ID X 3/4 OD SS	H-71015								5
57	FW 5/16 ID X 7/8 OD SS	H-71016								2
58	FW 3/8 ID X 7/8 OD SS	H-71017								16
59	LW 3/8" SS	H-71067								6
60	PPH #10-32 X 3/4" S/S	H-72534								2
61	FHP #10-32 X 1/2" SS	H-72682								8
62	FHP 10-32 X 3/4" SS	H-72684								6
63	SHCS 1/4-20 X 1/2 SS	H-73459								4
64	BHSCS 5/16-18 X 1/2"	H-73777								2
65	CB 1/4"- 20 X .5" SS	H-74417								4
66	CB 5/16"- 18 X 3/4" SS	H-74429								10
67	CB 5/16"- 18 X 1" SS	H-74430								6
68	WASHER, SERRATED BELLEVILLE, 3/8", S/S	H-90895								8
69	FW 3/8" GRADE 8	H-98025								10
70	3/16" X 1 1/4" KEY	H-K14320								2
71	JNYL 1/4" - 20 SS	H-NJ04C								9
72	HCS 3/8"-24 X 7/8" SS	M-92865A214								8
73	GROMMET, 3/4" ID X 1-3/8" OD BUNA-N	M-9307K81								2
74	3/4" DIA 1 HOLE TUBE STRAP	M-9434T27								1
73	MOTOR COVER	253-2221								1

NOTE: ALL DECK SIZES USE THE SAME PARTS UNLESS OTHERWISE INDICATED IN COLUMNS ABOVE.

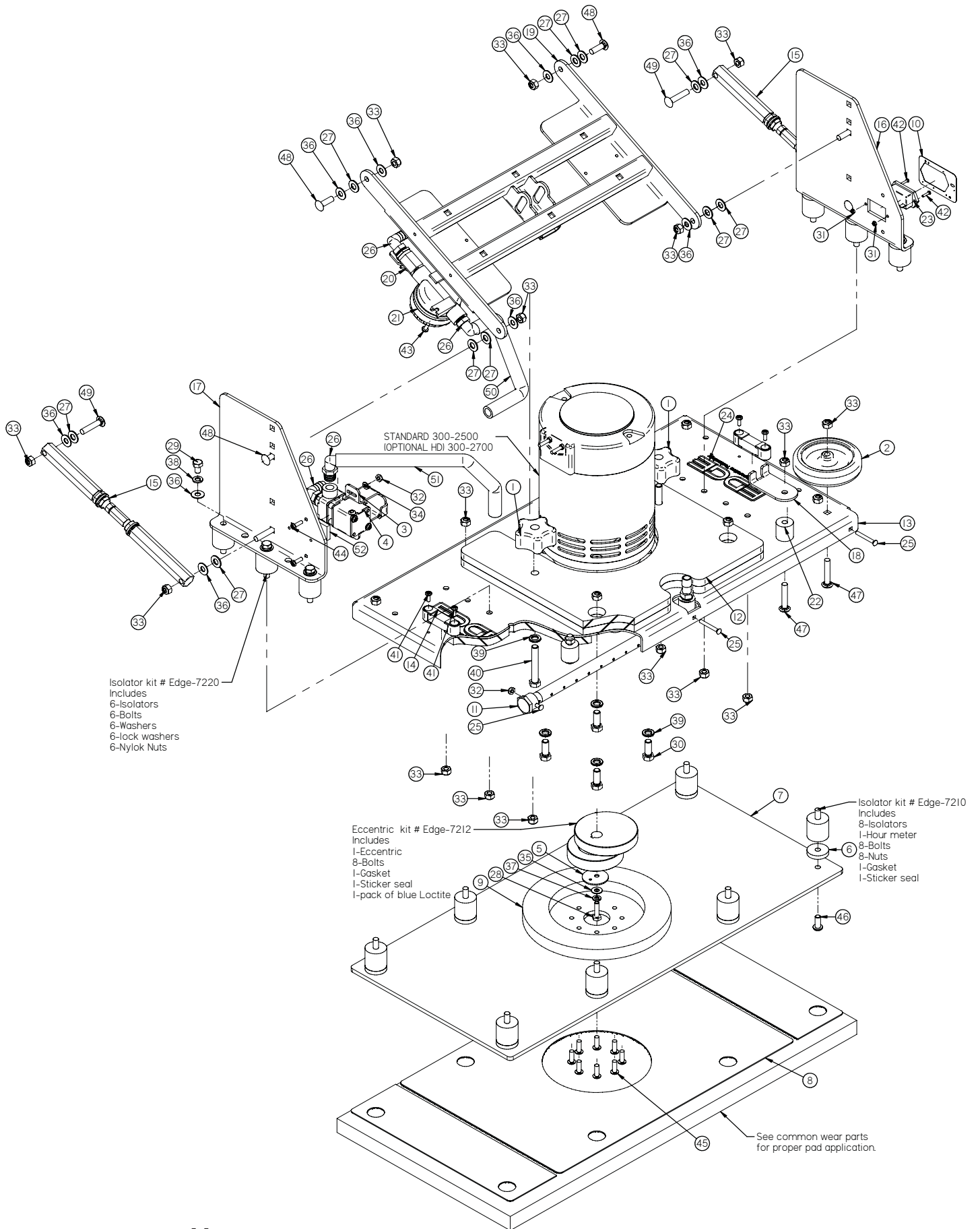
\* (OPTIONAL) HD PACKAGE FOR 27" DECKS USE MOTOR P/N 253-2222.

MOTOR P/N 253-2222 LISTED ABOVE IS 24-VOLT, 1 HP, 350 RPM. THIS MOTOR USE'S (8) HCS 3/8-16 X 1", P/N H-70105.

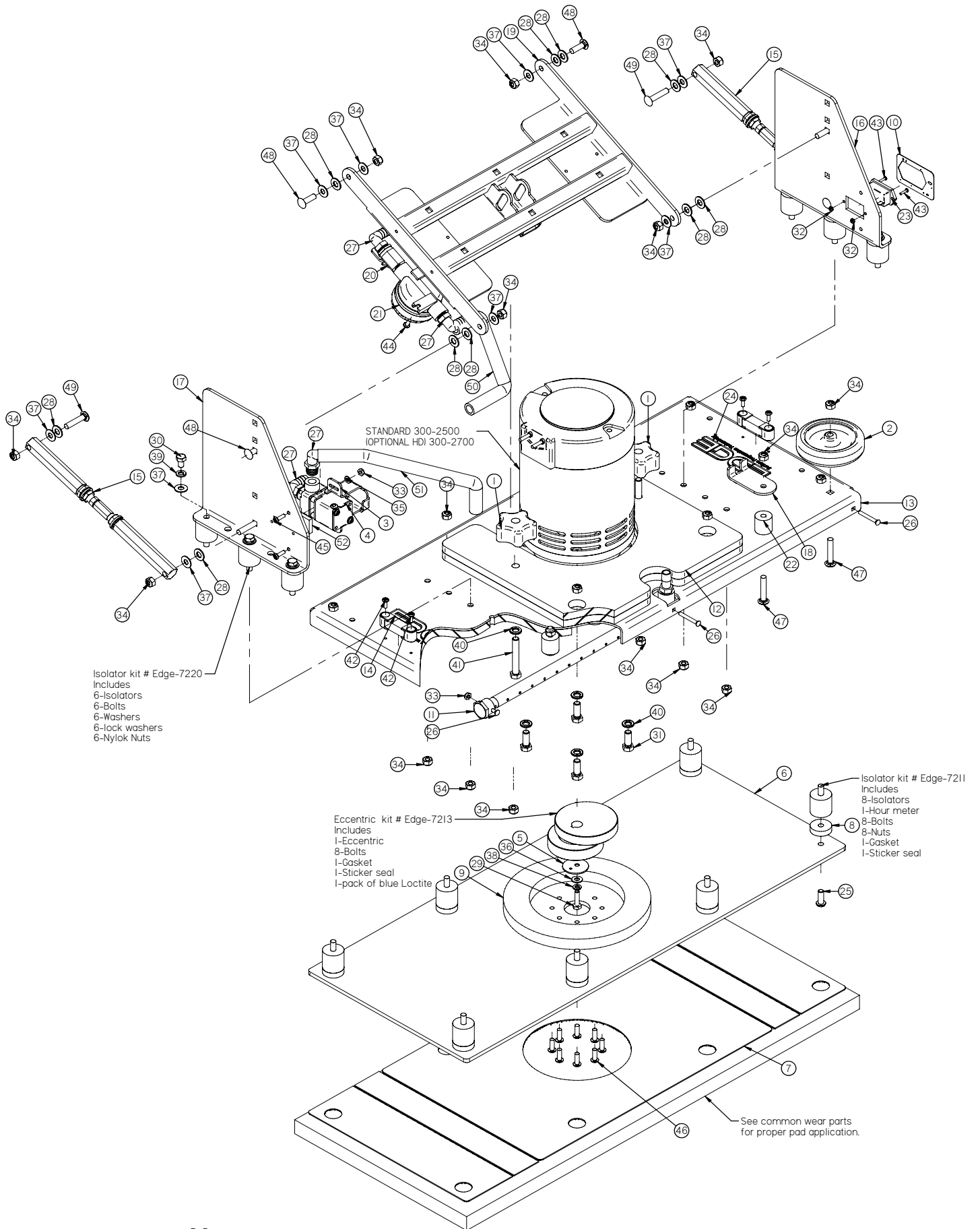
MOTOR COVER P/N 253-2221 IS ONLY USED WITH MOTOR P/N 253-2222.

SEE COMMON WEAR PARTS PAGE FOR BRUSH SELECTION.

# 44 28 Inch EDGE Deck Assembly

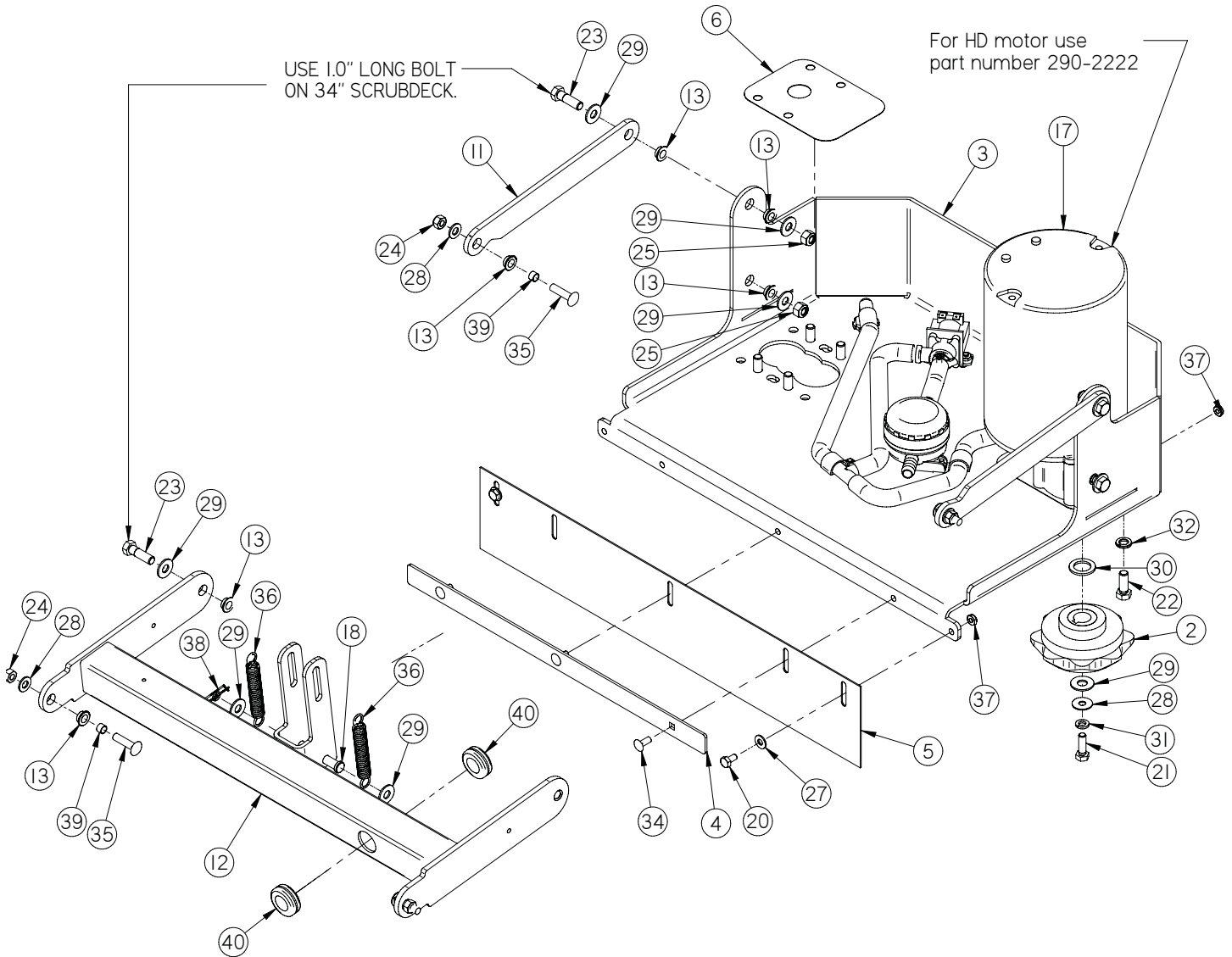


Item	Part No.	Part Description	Qty.
1	150-5786	STAR KNOB, 3/8-16 THREAD	2
2	150-7600	4" SIDE WHEEL (GREY)	2
3	250-5280	VALVE BRACKET	1
4	253-4500	FLOW VALVE (24V)	1
5	300-01030Z	CRUSH WASHER	1
6	300-01033Z	20 & 28" SPACER	8
7	300-01035Z	28 INCH ALUMINUM PAD DRIVER	1
8	300-01037Z	GRIP FACE	1
9	300-1070	3/4" BEARING GASKET	1
10	300-2013	ISOLATOR STICKER	1
11	300-3021	28 INCH EDGE SOL. FEED TUBE	1
12	300-4021	15 LBS TOP WEIGHT	2
13	300-4022	28 INCH SQUARE HEAD DECK	1
14	300-4030	LEVEL	2
15	300-8421	ADJUSTABLE LATERAL ARM	2
16	300-9070	(LH) DECK LIFTING BRACKET	1
17	300-9071	(RH) DECK LIFTING BRACKET	1
18	300-9072	WHEEL BRACKET	2
19	300-9587	LATERAL ARM	1
20	370-4158	BALL VALVE, 3/8"	1
21	370-9130	INLINE FILTER	1
22	5-846	STANDOFF, 1.03"	2
23	8-262	HOUR METER	1
24	EDGE-7205	5 INCH EDGE STICKER	2
25	H-0172523	CB #10-32 X 1-1/2" SS	3
26	H-04764	ELBOW, 3/8" MNPT X 1/2" BARB X 90 DEG, NYLON	4
27	H-4440024	FW 3/8" X 3/4" NYLON	11
28	H-70005	HCS 1/4"- 20 X 1" SS	1
29	H-70051	HCS 5/16"- 18 X 1/2"	6
30	H-70105	HCS 3/8"- 16 X 1" SS	4
31	H-70854	NYLOK #4-40 SS	2
32	H-70858	NYLOK #10-32 SS	5
33	H-70861	NYLOK 5/16" - 18 SS	26
34	H-71009	FW #10 SS	2
35	H-71013	FW 1/4 ID X 5/8 OD SS	1
36	H-71015	FW 5/16 ID X 3/4 OD SS	15
37	H-71063	LW 1/4" SS	1
38	H-71065	LW 5/16" SS	6
39	H-71067	LW 3/8" SS	6
40	H-71190	HCS 3/8"- 16 X 2-1/2" SS (FULLY THREADED)	2
41	H-72398	PPH #8-32 X 1/2" S/S	4
42	H-72486	PPH #4-40 X 1/2" S/S	2
43	H-72515	PPH #10-32 X 1/2" S/S	2
44	H-72517	PPH #10-32 X 5/8" SS	2
45	H-73754	BHSCS 1/4 - 20 X 3/4" SS	8
46	H-73779	BHSCS 5/16-18 X 3/4"	8
47	H-74401	CB 5/16"- 18 X 1-3/4" SS	4
48	H-74430	CB 5/16"- 18 X 1" SS	4
49	H-74432	CB 5/16"- 18 X 1-1/2" SS	4
50	T-050R0800	FILTER TO VALVE	1
51	T-050R1250	VALVE TO FEED TUBE	1
52	T-438350025	VALVE PAD	1



Item	Part No.	Part Description	Qty.
1	150-5786	STAR KNOB, 3/8-16 THREAD	2
2	150-7600	4" SIDE WHEEL (GREY)	2
3	250-5280	VALVE BRACKET	1
4	253-4500	FLOW VALVE (24V)	1
5	300-01030Z	CRUSH WASHER	1
6	300-01036Z	32 INCH ALUMINUM PAD DRIVER	1
7	300-01037Z	GRIP FACE	1
8	300-01049Z	32" SPACER	8
9	300-1070	3/4" BEARING GASKET	1
10	300-2013	ISOLATOR STICKER	1
11	300-3022	32 INCH EDGE SOL. FEED TUBE	1
12	300-4021	15 LBS TOP WEIGHT	2
13	300-4026	32 INCH SQUARE HEAD DECK	1
14	300-4030	LEVEL	2
15	300-8421	ADJUSTABLE LATERAL ARM	2
16	300-9070	(LH) DECK LIFTING BRACKET	1
17	300-9071	(RH) DECK LIFTING BRACKET	1
18	300-9072	WHEEL BRACKET	2
19	300-9587	LATERAL ARM	1
20	370-4158	BALL VALVE, 3/8"	1
21	370-9130	INLINE FILTER	1
22	5-846	STANDOFF, 1.03"	2
23	8-262	HOUR METER	1
24	EDGE-7205	5 INCH EDGE STICKER	2
25	H-0171291	BHSCS 5/16-18 X 7/8"	8
26	H-0172523	CB #10-32 X 1-1/2" SS	3
27	H-04764	ELBOW, 3/8" MNPT X 1/2" BARB X 90 DEG, NYLON	4
28	H-4440024	FW 3/8" X 3/4" NYLON	11
29	H-70005	HCS 1/4"- 20 X 1" SS	1
30	H-70051	HCS 5/16"- 18 X 1/2"	6
31	H-70105	HCS 3/8"- 16 X 1" SS	4
32	H-70854	NYLOK #4-40 SS	2
33	H-70858	NYLOK #10-32 SS	5
34	H-70861	NYLOK 5/16" - 18 SS	26
35	H-71009	FW #10 SS	2
36	H-71013	FW 1/4 ID X 5/8 OD SS	1
37	H-71015	FW 5/16 ID X 3/4 OD SS	15
38	H-71063	LW 1/4" SS	1
39	H-71065	LW 5/16" SS	6
40	H-71067	LW 3/8" SS	6
41	H-71190	HCS 3/8"- 16 X 2-1/2" SS (FULLY THREADED)	2
42	H-72398	PPH #8-32 X 1/2" S/S	4
43	H-72486	PPH #4-40 X 1/2" S/S	2
44	H-72515	PPH #10-32 X 1/2" S/S	2
45	H-72517	PPH #10-32 X 5/8" SS	2
46	H-73754	BHSCS 1/4 - 20 X 3/4" SS	8
47	H-74401	CB 5/16"- 18 X 1-3/4" SS	4
48	H-74430	CB 5/16"- 18 X 1" SS	4
49	H-74432	CB 5/16"- 18 X 1-1/2" SS	4
50	T-050R0800	FILTER TO VALVE	1
51	T-050R1250	VALVE TO FEED TUBE	1
52	T-438350025	VALVE PAD	1

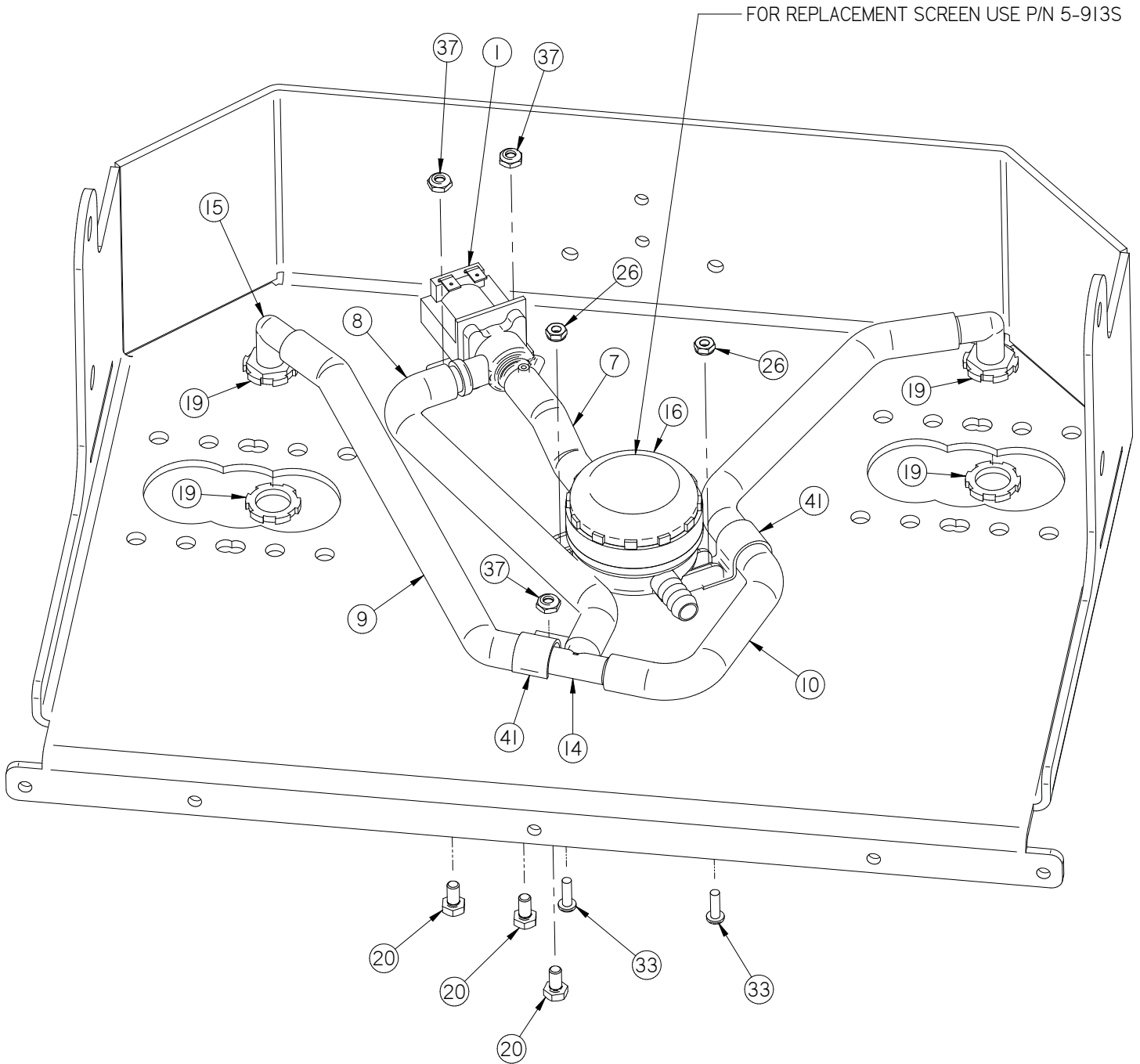
# 48 Disk Scrub Deck Assembly





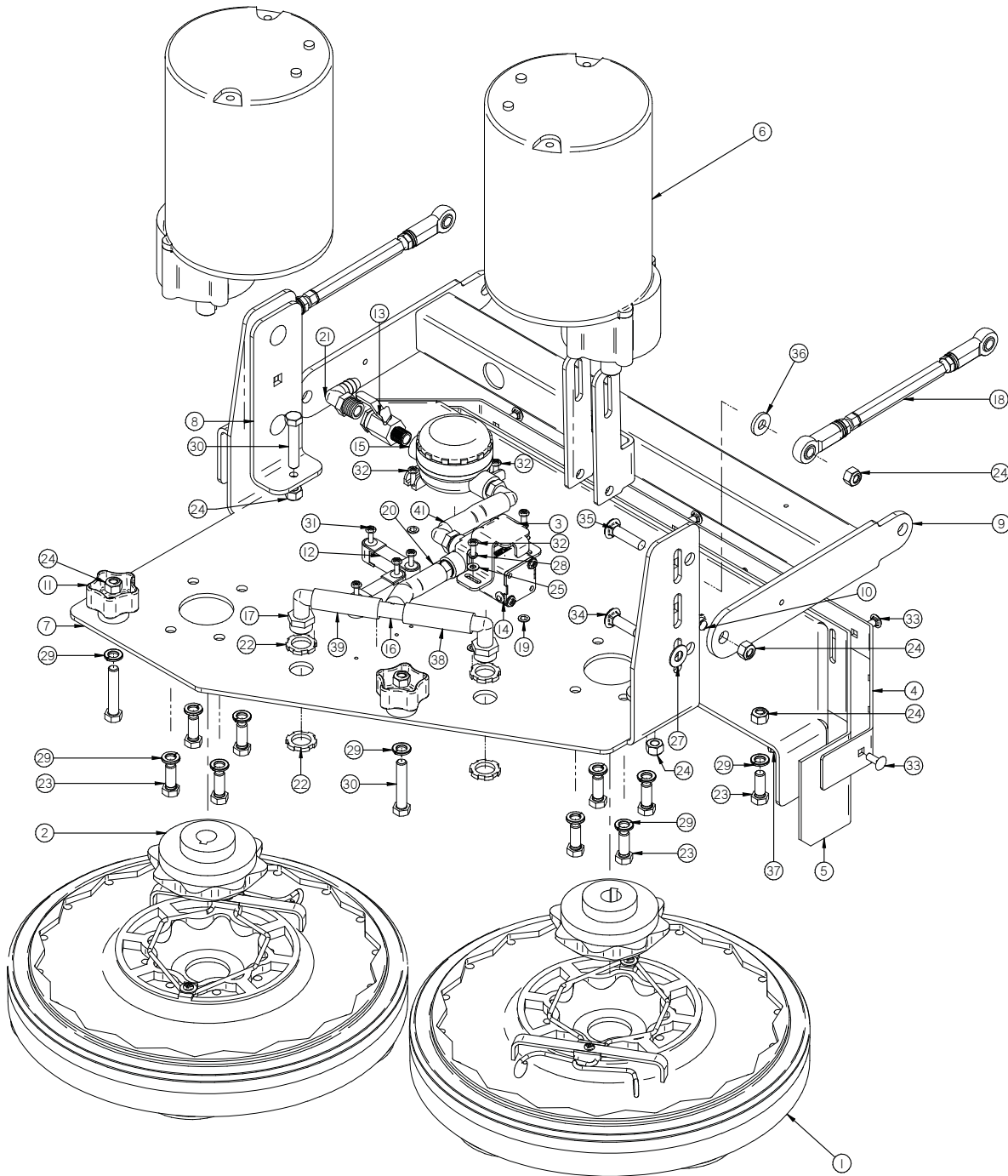
Item	Part Number	Part Description	Qty
1	21-4500	ADJUSTABLE SOLUTION FLOW VALVE	1
2	21-5000	BRUSH DRIVER	2
3	253-0402	DISK SCRUB DECK	1
4	253-1020	BAND, FRAME CURTAIN	1
5	253-1090	DISK DECK CURTAIN	1
6	253-1140	BRUSH MOTOR CAP	2
7	253-1600	1/2" ID X 3-3/4" LG WIRE REINF. CLEAR TUBE	1
8	253-1601	1/2" ID X 9-1/4" LG WIRE REINF. CLEAR TUBE	1
9	253-1602	1/2" ID X 12-1/4" LG WIRE REINF. CLEAR TUBE	1
10	253-1603	1/2" ID X 16-1/4" LG WIRE REINF. CLEAR TUBE	1
11	253-4025	LATERAL ARM	2
12	253-9586	SCRUBDECK LIFT ARM, DISK	1
13	290-1233	3/8" ID, 1/2" OD, 1/4" LG BEARING	12
14	5-446	1/2" PLASTIC BARB TEE	1
15	5-447	1/2 NPT X 1/2" BARB ELBOW	2
16	5-913	INLINE FILTER	1
17	7-222	MOTOR, 24-V, 3/4 HP, 200 RPM	2
18	H-0156758	3/8" X 3-1/2" CLEVIS PIN	1
19	H-07005	1/2" NPT LOCKNUT	4
20	H-70001	HCS 1/4"-20 X 1/2 SS"	5
21	H-70055	HCS 5/16"- 18 X 1" SS	2
22	H-70105	HCS 3/8"- 16 X 1" SS	8
23	H-70107	HCS 3/8"- 16 X 1-1/4" SS	4
24	H-70861	NYLOK 5/16" - 18 SS	4
25	H-70862	NYLOK 3/8"-16 SS	4
26	H-70923	KN #10-32 SS	2
27	H-71013	FW 1/4 ID X 5/8 OD SS	2
28	H-71015	FW 5/16 ID X 3/4 OD SS	6
29	H-71017	FW 3/8 ID X 7/8 OD SS	12
30	H-71027	FW 3/4 ID X 1-3/4 OD SS	2
31	H-71065	LW 5/16" SS	2
32	H-71067	LW 3/8" SS	8
33	H-72517	PPH #10-32 X 5/8" SS	2
34	H-74418	CB 1/4"- 20 X 5/8" S/S	3
35	H-74431	CB 5/16"- 18 X 1-1/4" SS	4
36	H-96544	SPRING, 4-1/8" LG X 9/16" OD (42E)	2
37	H-NJ04C	JNYL 1/4" - 20 SS	8
38	H-RUE14	3/8" RUE RING COTTER	1
39	M-6391K403	.312 ID X .375 OD X .25 LG BEARING SLEEVE	4
40	M-9307K81	GROMMET, 3/4" ID X 1-3/8" OD BUNA-N	2
41	M-9434T27	3/4" DIA I HOLE TUBE STRAP	2

# 50 Disk Scrub Deck Assembly

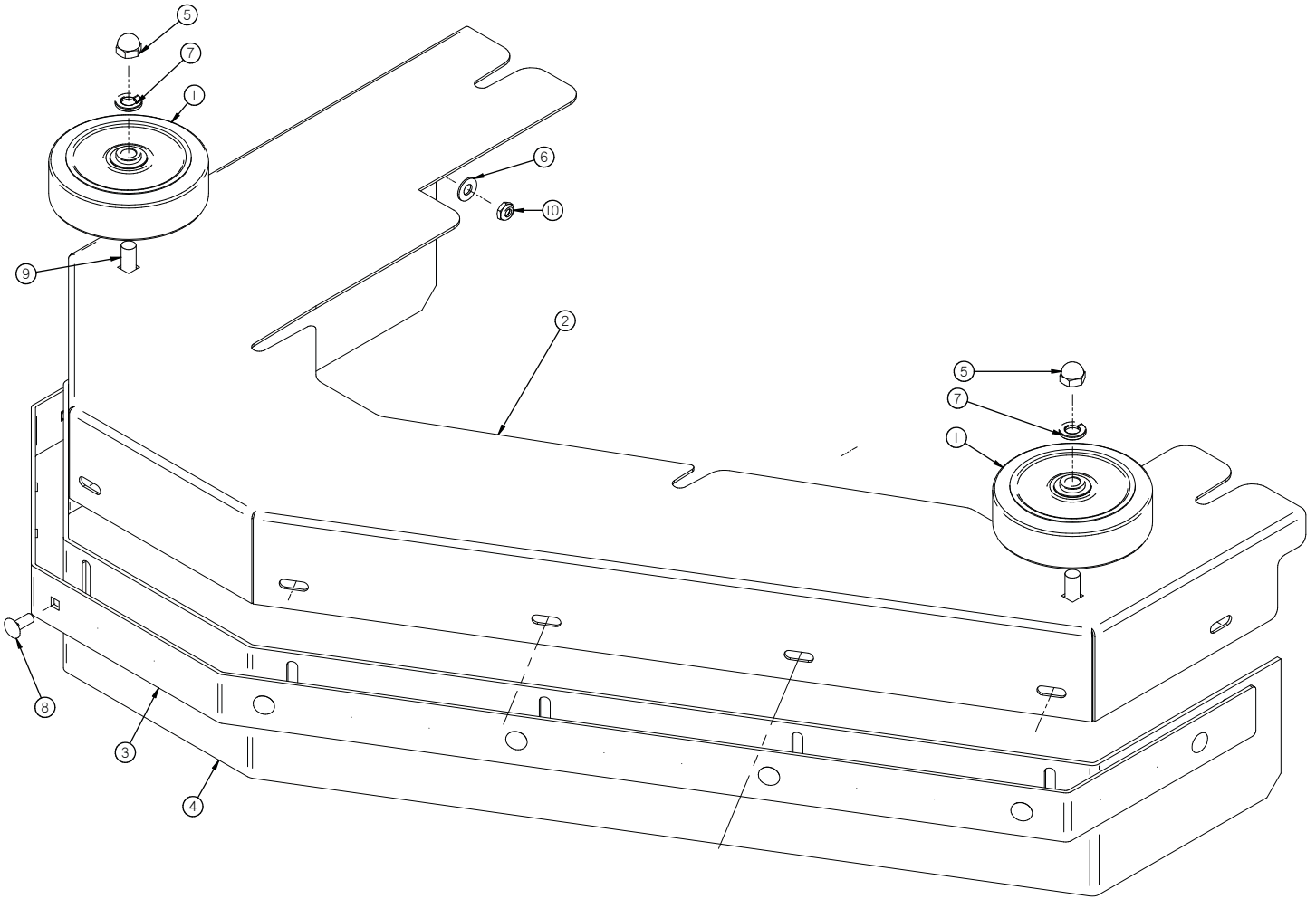


Item	Part Number	Part Description	Qty
1	21-4500	ADJUSTABLE SOLUTION FLOW VALVE	1
2	21-5000	BRUSH DRIVER	2
3	253-0402	DISK SCRUB DECK	1
4	253-1020	BAND, FRAME CURTAIN	1
5	253-1090	DISK DECK CURTAIN	1
6	253-1140	BRUSH MOTOR CAP	2
7	253-1600	1/2" ID X 3-3/4" LG WIRE REINF. CLEAR TUBE	1
8	253-1601	1/2" ID X 9-1/4" LG WIRE REINF. CLEAR TUBE	1
9	253-1602	1/2" ID X 12-1/4" LG WIRE REINF. CLEAR TUBE	1
10	253-1603	1/2" ID X 16-1/4" LG WIRE REINF. CLEAR TUBE	1
11	253-4025	LATERAL ARM	2
12	253-9586	SCRUBDECK LIFT ARM, DISK	1
13	290-1233	3/8" ID, 1/2" OD, 1/4" LG BEARING	12
14	5-446	1/2" PLASTIC BARB TEE	1
15	5-447	1/2 NPT X 1/2" BARB ELBOW	2
16	5-913	INLINE FILTER	1
17	7-222	MOTOR, 24-V, 3/4 HP, 200 RPM	2
18	H-0156758	3/8" X 3-1/2" CLEVIS PIN	1
19	H-07005	1/2" NPT LOCKNUT	4
20	H-70001	HCS 1/4"-20 X 1/2 SS"	5
21	H-70055	HCS 5/16"- 18 X 1" SS	2
22	H-70105	HCS 3/8"- 16 X 1" SS	8
23	H-70107	HCS 3/8"- 16 X 1-1/4" SS	4
24	H-70861	NYLOK 5/16" - 18 SS	4
25	H-70862	NYLOK 3/8"-16 SS	4
26	H-70923	KN #10-32 SS	2
27	H-71013	FW 1/4 ID X 5/8 OD SS	2
28	H-71015	FW 5/16 ID X 3/4 OD SS	6
29	H-71017	FW 3/8 ID X 7/8 OD SS	12
30	H-71027	FW 3/4 ID X 1-3/4 OD SS	2
31	H-71065	LW 5/16" SS	2
32	H-71067	LW 3/8" SS	8
33	H-72517	PPH #10-32 X 5/8" SS	2
34	H-74418	CB 1/4"- 20 X 5/8" S/S	3
35	H-74431	CB 5/16"- 18 X 1-1/4" SS	4
36	H-96544	SPRING, 4-1/8" LG X 9/16" OD (42E)	2
37	H-NJ04C	JNYL 1/4" - 20 SS	8
38	H-RUE14	3/8" RUE RING COTTER	1
39	M-6391K403	.312 ID X .375 OD X .25 LG BEARING SLEEVE	4
40	M-9307K81	GROMMET, 3/4" ID X 1-3/8" OD BUNA-N	2
41	M-9434T27	3/4" DIA I HOLE TUBE STRAP	2

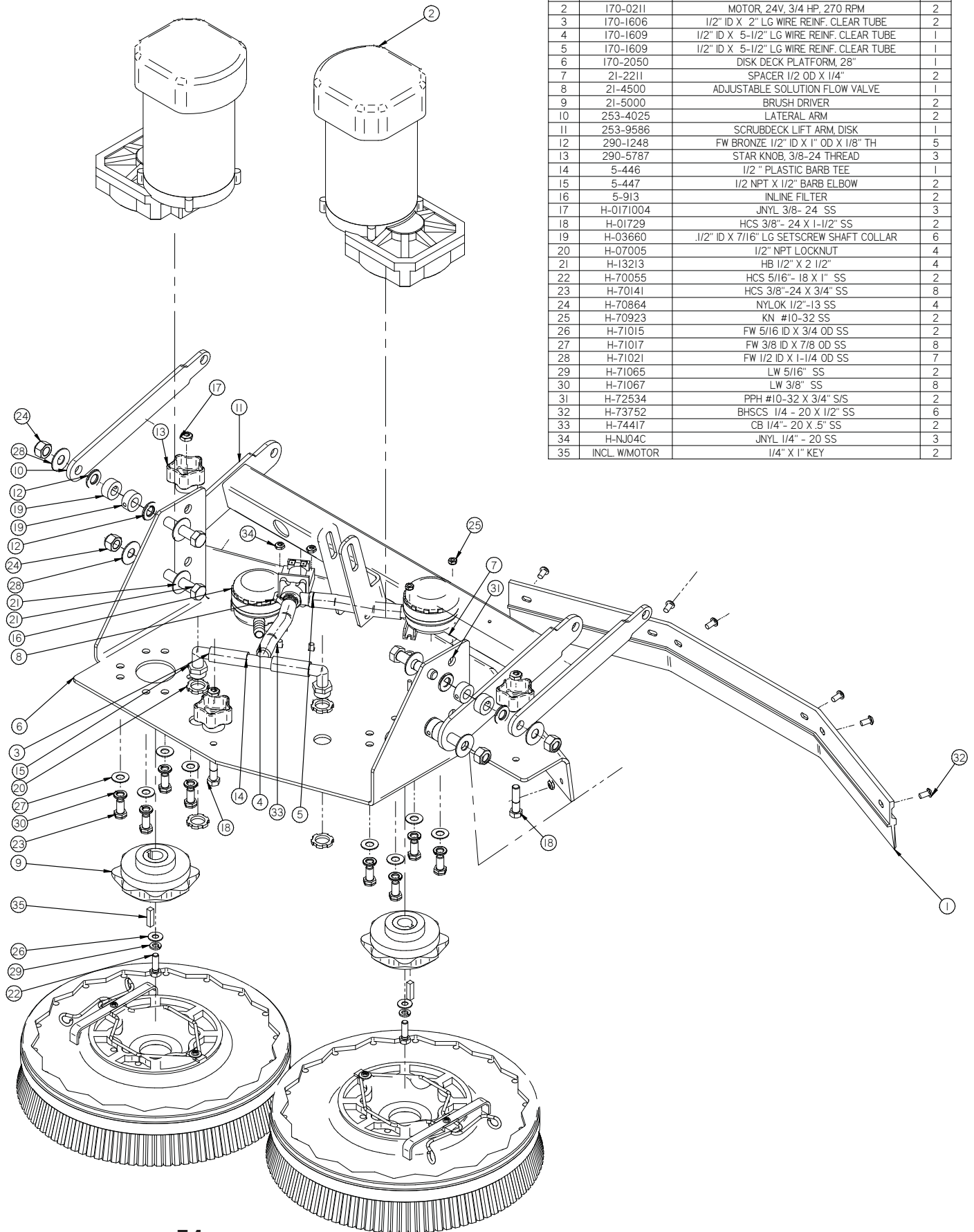
# 52 Pro Polish Disk Scrub Deck Assembly



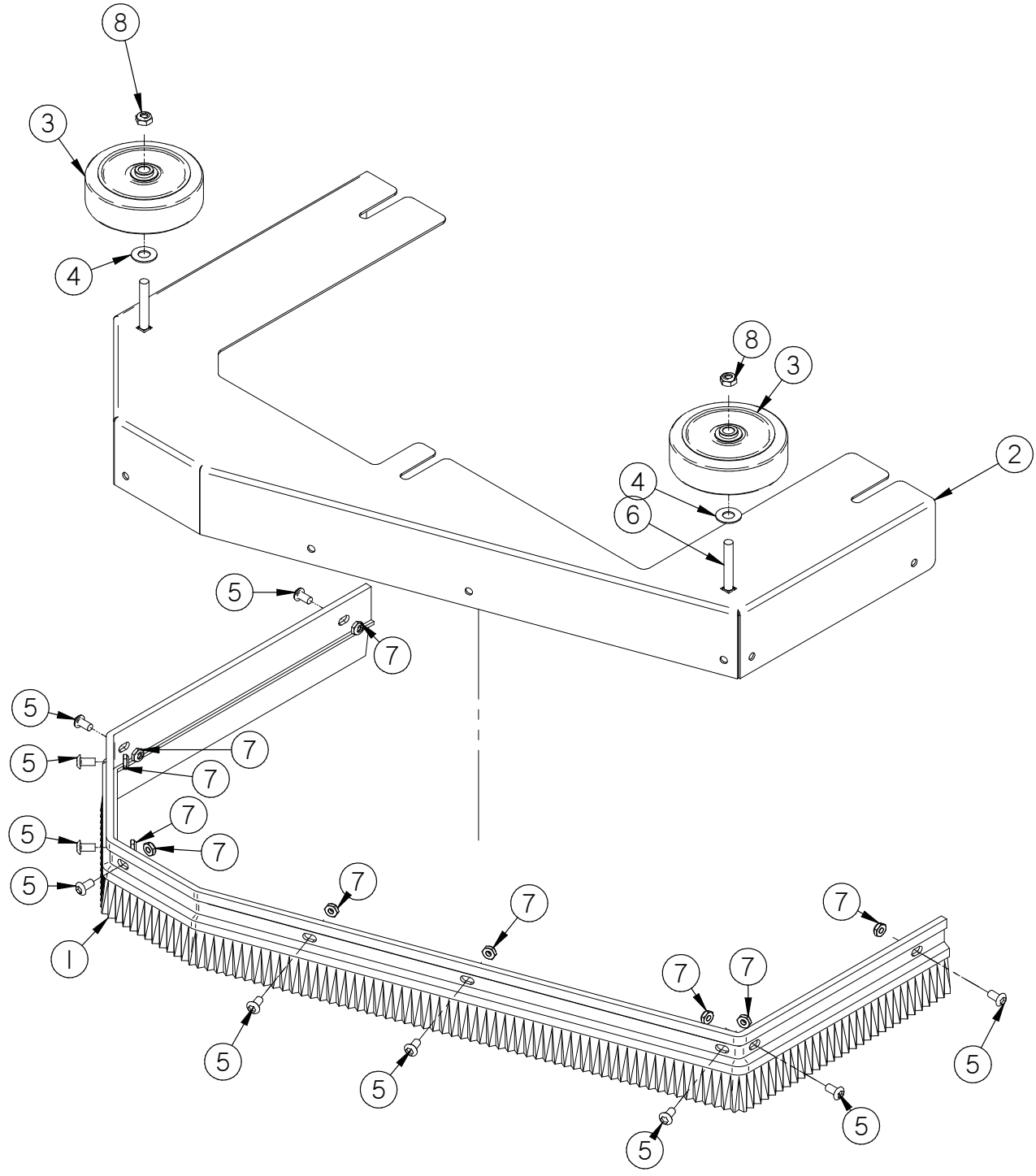
Item	Part No.	Part Description	Qty.	Item	Part No.	Part Description	Qty.
1	15-421DD	15 INCH DIAMOND PAD DRIVER	2	22	H-07005	1/2" NPT LOCKNUT	4
2	21-5003	OFFSET BRUSH DRIVER	2	23	H-70105	HCS 3/8"- 16 X 1" SS	10
3	250-5280	VALVE BRACKET	1	24	H-70862	NYLOK 3/8"-16 SS	12
4	253-1265	OSCILLATING DISK DECK CURTAIN BAND	1	25	H-71009	FW #10 SS	2
5	253-1276	OSCILLATING DISK DECK CURTAIN	1	26"	H-71013	FW 1/4 ID X 5/8 OD SS	5
6	253-2224	24V MOTOR 1.0 HP X 350 RPM	2	27	H-71017	FW 3/8 ID X 7/8 OD SS	2
7	253-4020	OSCILLATING DISK SCRUB DECK	1	28	H-71059	LW #10, SS	2
8	253-4030	DECK ADJUSTMENT BRACKET	2	29	H-71067	LW 3/8" SS	12
9	253-9586	SCRUBDECK LIFT ARM, DISK	1	30	H-71189	HCS 3/8"- 16 X 2-1/2" SS (FULLY THREADED)	4
10	290-1233	3/8" ID, 1/2" OD, 1/4" LG BEARING	2	31	H-72398	PPH #8-32 X 1/2" S/S	4
11	290-5786	STAR KNOB, 3/8-16 THREAD	2	32	H-72517	PPH #10-32 X 5/8" SS	4
12	300-4030	LEVEL	2	33	H-74418	CB 1/4"- 20 X 5/8" S/S	5
13	370-4158	BALL VALVE, 3/8"	1	34	H-74437	CB 3/8"- 16 X 1-1/4" SS	2
14	370-7245	FLOW VALVE	1	35	H-74438	CB 3/8"- 16 X 1-1/2" SS	2
15	370-9130	INLINE FILTER	1	36	H-98025	FW 3/8" GRADE 8	2
16	5-446	1/2" PLASTIC BARB TEE	1	37	H-NJ04C	JNYL 1/4" - 20 SS	5
17	5-447	1/2 NPT X 1/2" BARB ELBOW	2	38	T-050R0250	TEE TO ELBOW	1
18	7-843	ADJUSTABLE LATERAL ARM	2	39	T-050R0250	TEE TO ELBOW	1
19	H-02309	HCN #10-32, LG CRIMP	4	40"	T-050R0250	VALVE TO TEE	1
20	H-04763	.375 NPT X .50 BARB	1	41	T-050R0250	FILTER TO VALVE	1
21	H-04764	ELBOW, 3/8" MNPT X 1/2" BARB X 90 DEG, NYLON	3				



Item	Part No.	Part Description	Qty.
1	190-3030	4.0" WHEEL (GRAY)	2
2	253-1116	OSCILLATING DISK SHROUD	1
3	253-1266	OSCILLATING DISK SHROUD CURTAIN BAND	1
4	253-1277	OSCILLATING DISK SHROUD CURTAIN	1
5	H-70962	3/8"-16 LC ACORN NUT	2
6	H-71013	FW 1/4 ID X 5/8 OD SS	9
7	H-71067	LW 3/8" SS	2
8	H-74418	CB 1/4"- 20 X 5/8" S/S	9
9	H-74439	CB 3/8"- 16 X 20" SS	2
10	H-NJ04C	JNYL 1/4" - 20 SS	9

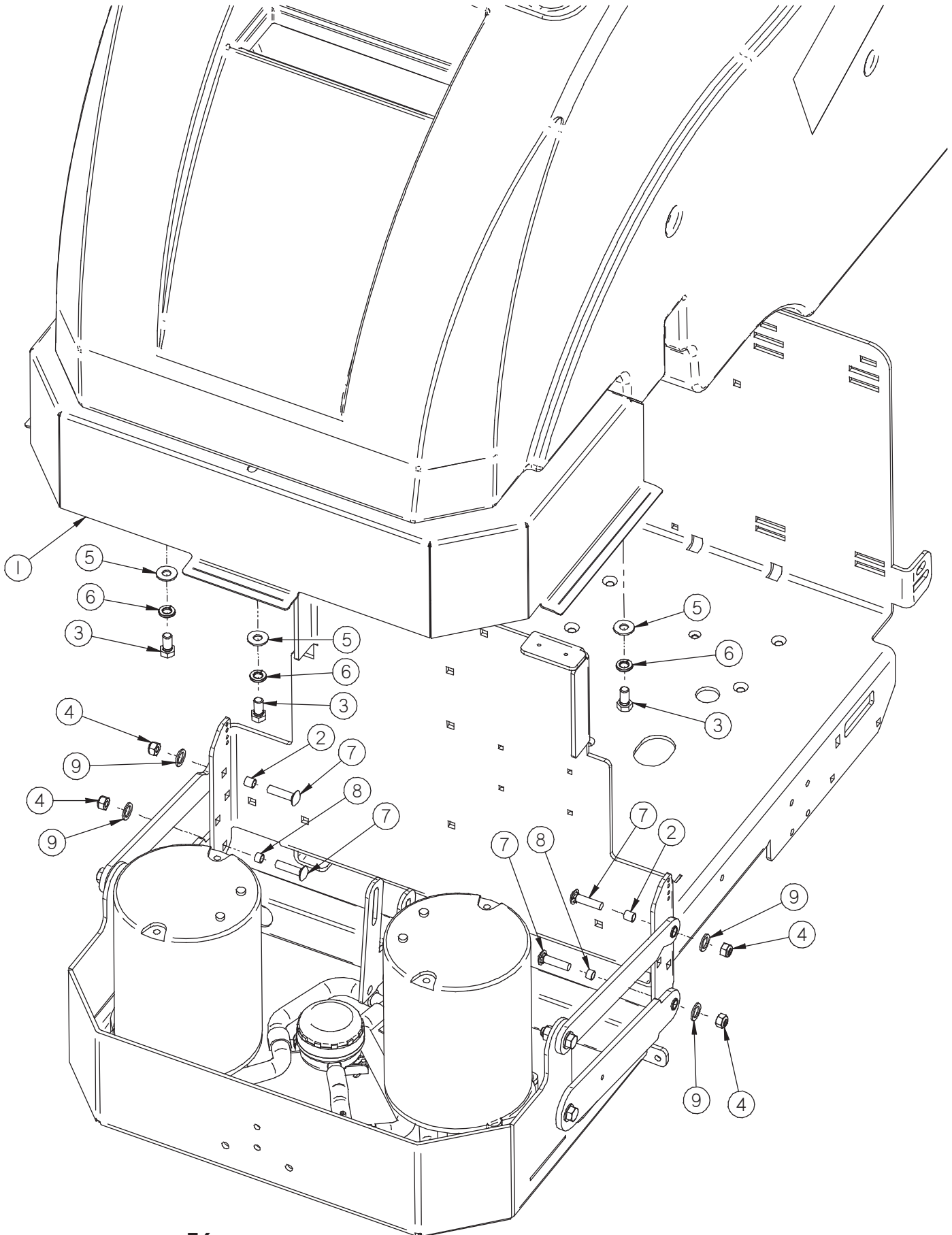


Item	Part No.	Part Description	Qty.
1	170-0018	DECK SKIRT	1
2	170-0211	MOTOR, 24V, 3/4 HP, 270 RPM	2
3	170-1606	1/2" ID X 2" LG WIRE REINF. CLEAR TUBE	2
4	170-1609	1/2" ID X 5-1/2" LG WIRE REINF. CLEAR TUBE	1
5	170-1609	1/2" ID X 5-1/2" LG WIRE REINF. CLEAR TUBE	1
6	170-2050	DISK DECK PLATFORM, 28"	1
7	21-2211	SPACER 1/2 OD X 1/4"	2
8	21-4500	ADJUSTABLE SOLUTION FLOW VALVE	1
9	21-5000	BRUSH DRIVER	2
10	253-4025	LATERAL ARM	2
11	253-9586	SCRUBDECK LIFT ARM, DISK	1
12	290-1248	FW BRONZE 1/2" ID X 1" OD X 1/8" TH	5
13	290-5787	STAR KNOB, 3/8-24 THREAD	3
14	5-446	1/2" PLASTIC BARB TEE	1
15	5-447	1/2 NPT X 1/2" BARB ELBOW	2
16	5-913	INLINE FILTER	2
17	H-0171004	JNYL 3/8- 24 SS	3
18	H-01729	HCS 3/8"- 24 X 1-1/2" SS	2
19	H-03660	1/2" ID X 7/16" LG SETSCREW SHAFT COLLAR	6
20	H-07005	1/2" NPT LOCKNUT	4
21	H-13213	HB 1/2" X 2 1/2"	4
22	H-70055	HCS 5/16"- 18 X 1" SS	2
23	H-70141	HCS 3/8"-24 X 3/4" SS	8
24	H-70864	NYLOK 1/2"-13 SS	4
25	H-70923	KN #10-32 SS	2
26	H-71015	FW 5/16 ID X 3/4 OD SS	2
27	H-71017	FW 3/8 ID X 7/8 OD SS	8
28	H-71021	FW 1/2 ID X 1-1/4 OD SS	7
29	H-71065	LW 5/16" SS	2
30	H-71067	LW 3/8" SS	8
31	H-72534	PPH #10-32 X 3/4" S/S	2
32	H-73752	BHSCS 1/4 - 20 X 1/2" SS	6
33	H-74417	CB 1/4" - 20 X .5" SS	2
34	H-NJ04C	JNYL 1/4" - 20 SS	3
35	INCL WMOTOR	1/4" X 1" KEY	2



Item	Part No.	Part Description	Qty.
1	170-0019	SHROUD SKIRT	1
2	170-1116	SHROUD, 28"	1
3	190-3030	4.0" WHEEL (GRAY)	2
4	H-71017	FW 3/8 ID X 7/8 OD SS	2
5	H-73752	BHSCS 1/4 - 20 X 1/2" SS	10
6	H-74433	CB 5/16" - 18 X 2" SS	2
7	H-NJ04C	JNYL 1/4" - 20 SS	10
8	H-NJ05C	JNYL 5/16" - 18 SS	2

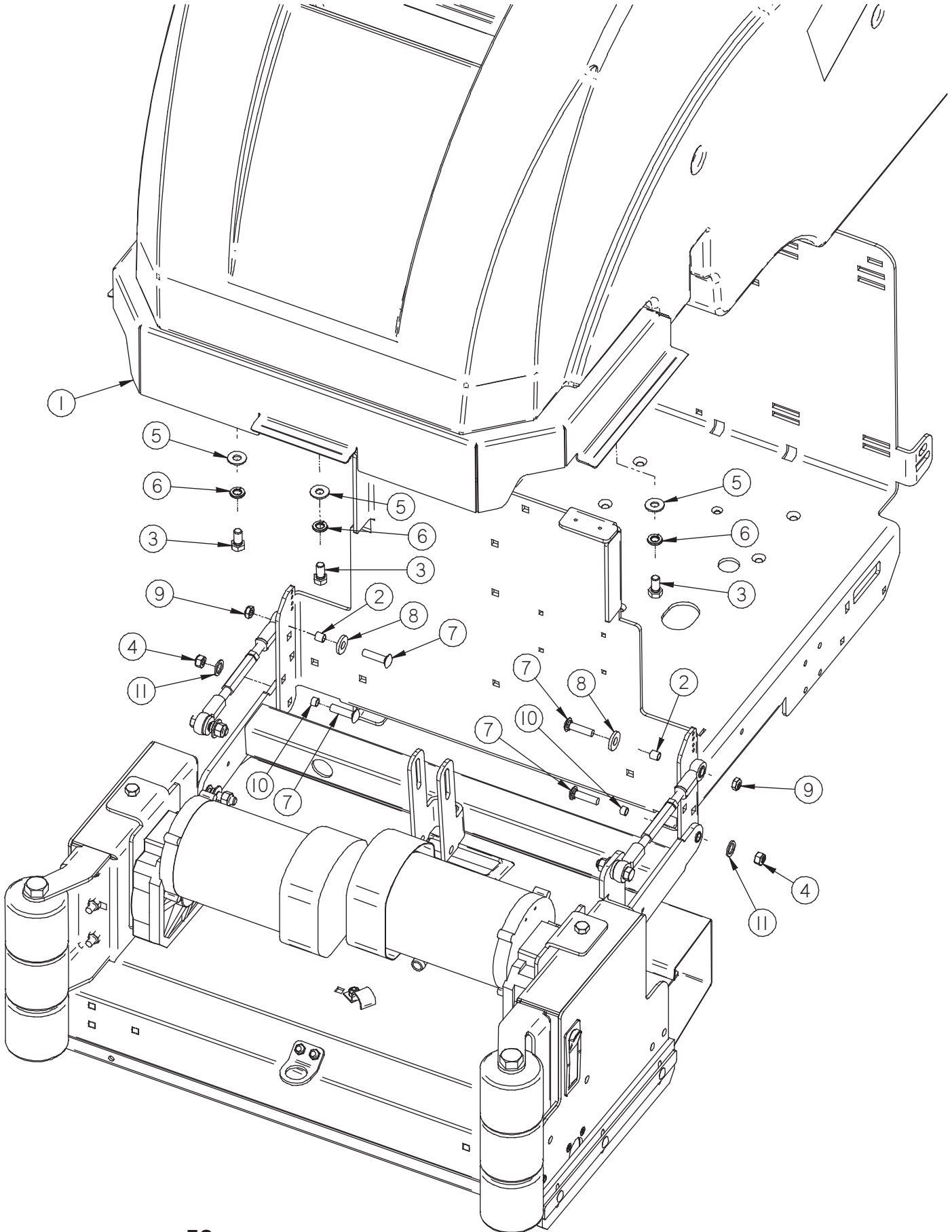
# 56 Attach Disk Scrub Deck and Bandeau Cover



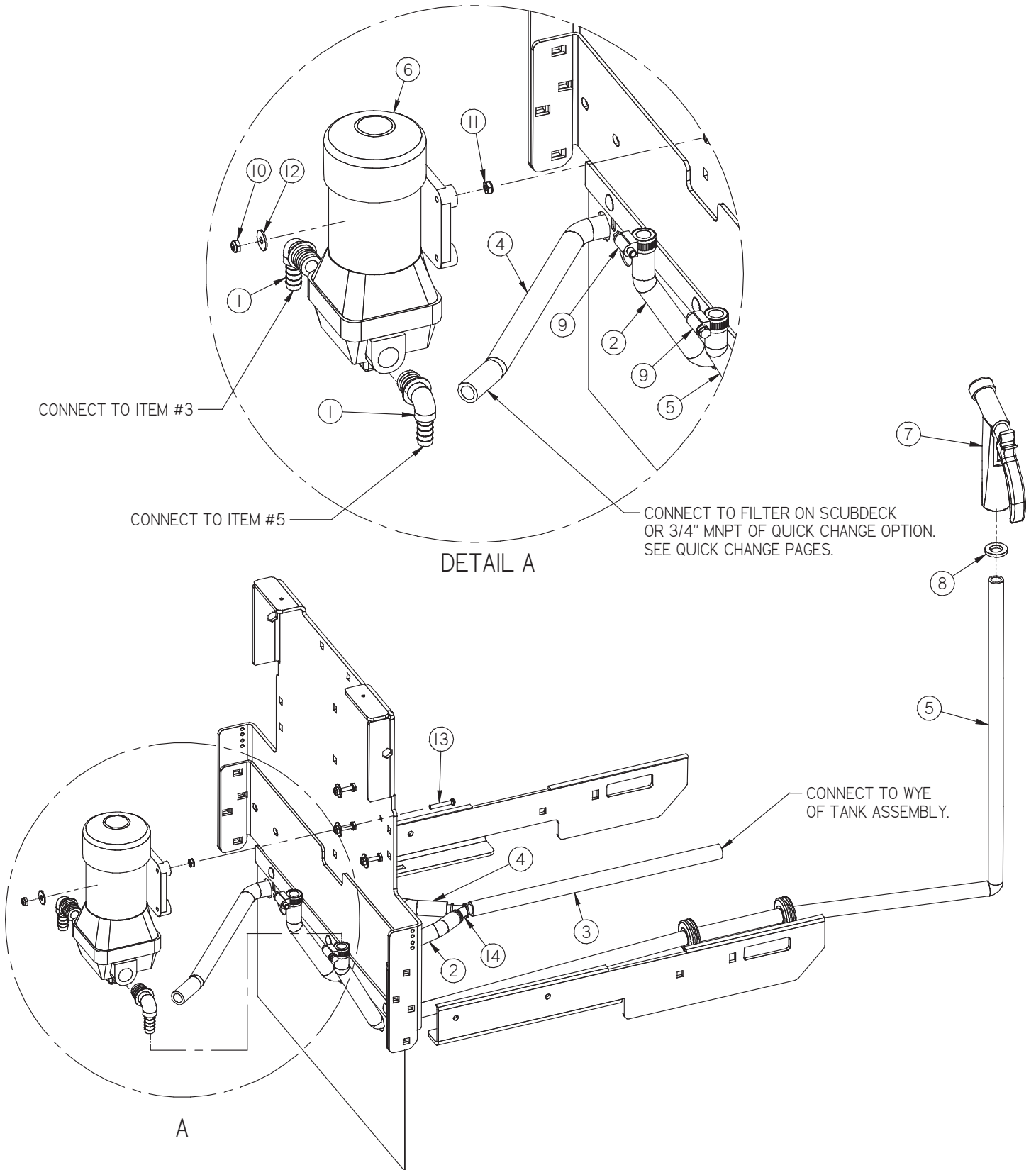


Item	Part Number	Part Description	Qty
1	253-1142	BANDEAU COVER, DISK	1
2	H-25336	.312 ID X .375 OD X .375 LG BEARING SLEEVE	2
3	H-70103	HCS 3/8"-16 X 3/4" SS	3
4	H-70861	NYLOK 5/16" - 18 SS	4
5	H-71017	FW 3/8" X 7/8" SS	3
6	H-71067	LW 3/8" SS	3
7	H-74431	CB 5/16"- 18 X 1-1/4" SS	4
8	M-6391K403	.312 ID X .375 OD X .25 LG BEARING SLEEVE	2
9	M-98126A739	SHIM, 1/2" ID X 3/4" OD X 1/16" THICK, S/S	4

# 58 Attach Cylindrical Scrub Deck and Bandeau Cover

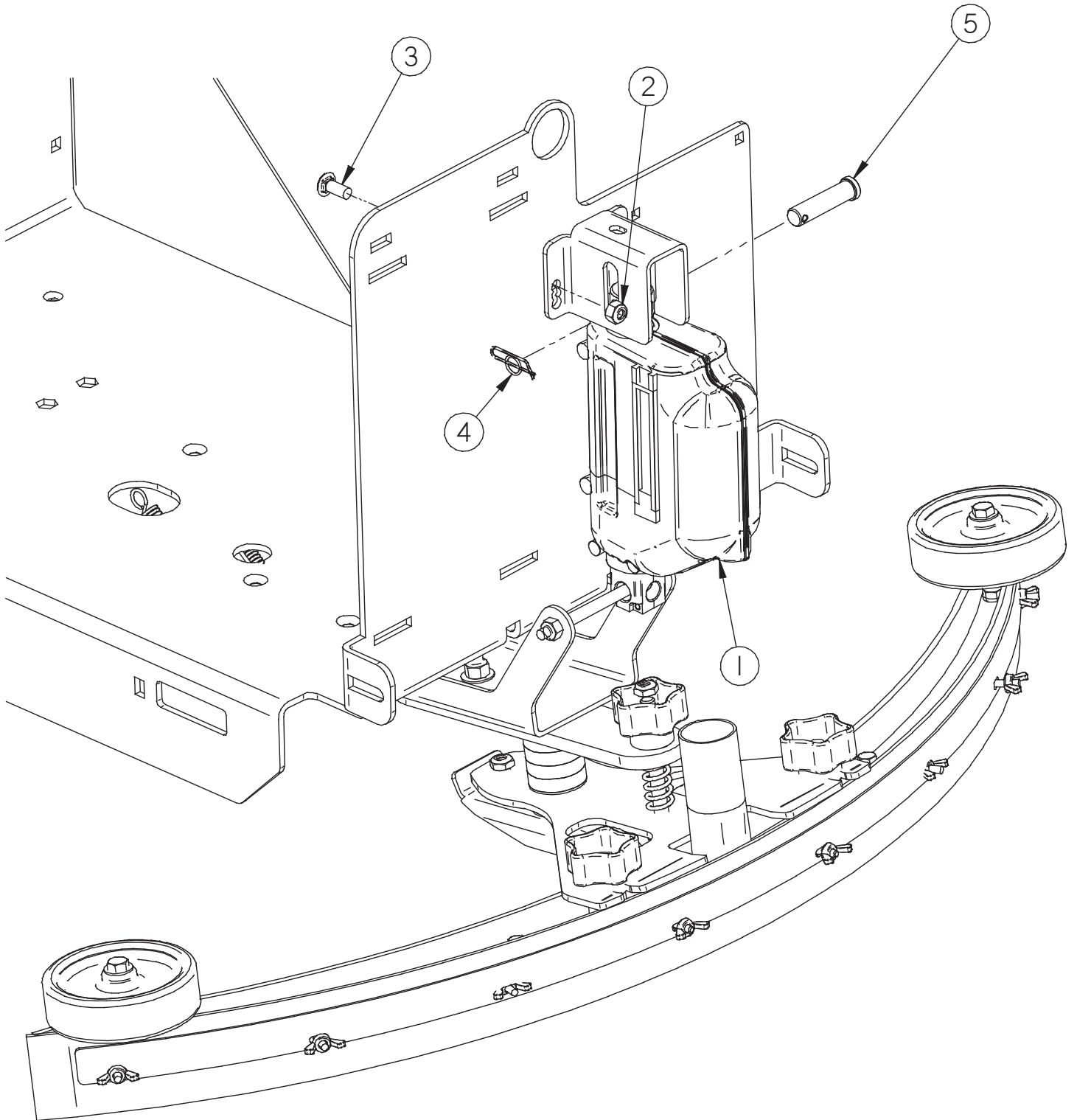


Item	Part Number	Part Description	Optional P/N	Optional Description	Qty
1	253-1143	BANDEAU COVER, CYLINDRICAL	253-1144	BANDEAU COVER, SIDE BROOMS	1
2	H-25336	.312 ID X .375 OD X .375 LG BEARING SLEEVE			2
3	H-70103	HCS 3/8"-16 X 3/4" SS			3
4	H-70861	NYLOK 5/16" - 18 SS			2
5	H-71017	FW 3/8" X 7/8" SS			3
6	H-71067	LW 3/8" SS			3
7	H-74431	CB 5/16"- 18 X 1-1/4" SS			4
8	H-98025	FW 3/8" GRADE 8			2
9	H-NJ05C	JNYL 5/16"- 18 SS			2
10	M-6391K403	.312 ID X .375 OD X .25 LG BEARING SLEEVE			2
11	M-98126A739	SHIM, 1/2" ID X 3/4" OD X 1/16" THICK, S/S			2



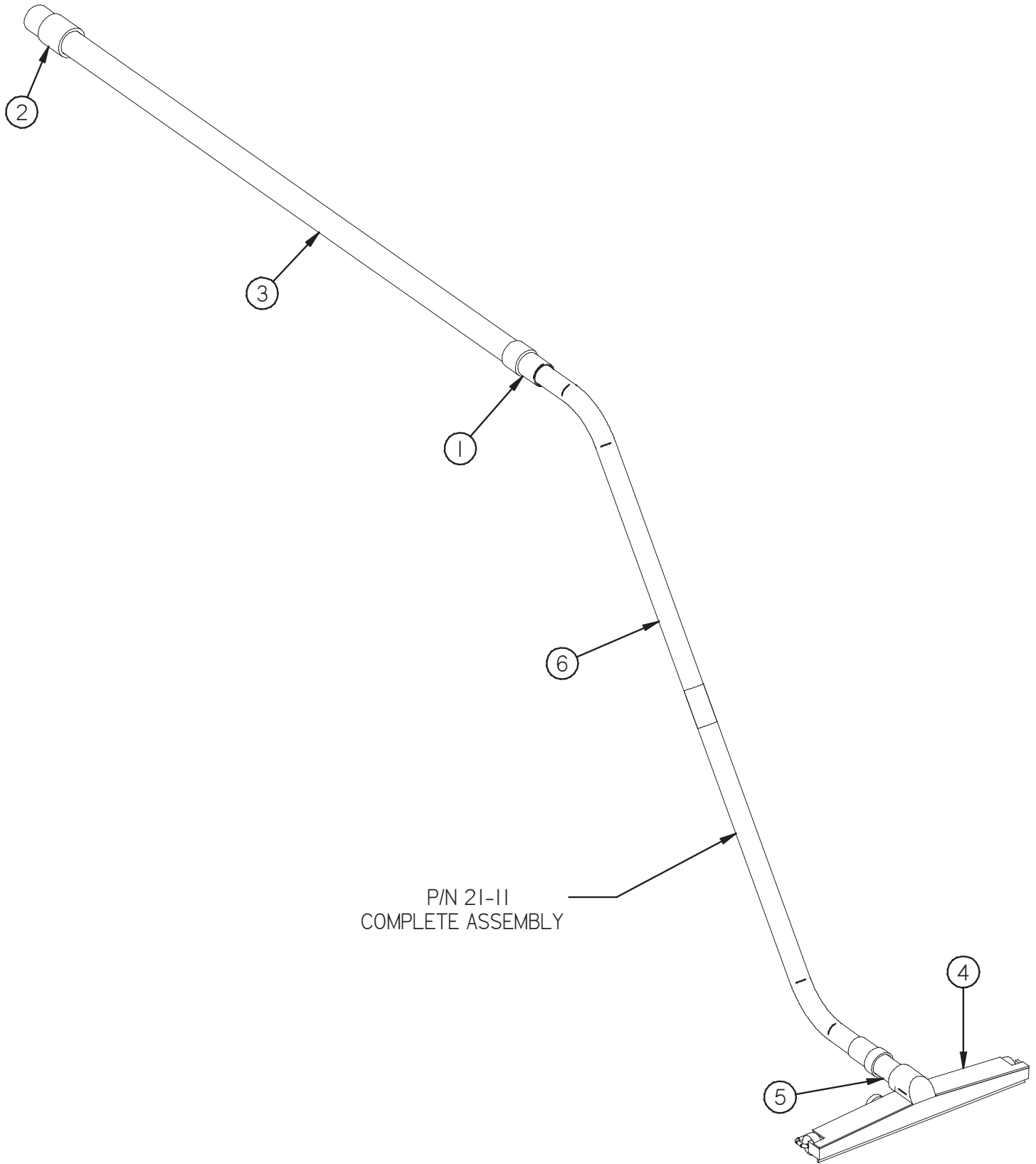
Item	Part Number	Part Description	Qty
1	21-1601	1/2" BARBED ELBOW (PLASTIC)	2
2	253-1609	1/2" ID X 12-1/4 " LG WIRE REINF. CLEAR TUBE	1
3	253-1613	1/2" ID X 13-1/2" LG WIRE REINF. CLEAR TUBE	1
4	253-1614	1/2" ID X 24" LG WIRE REINF. CLEAR TUBE	1
5	290-8960	GARDEN HOSE	1
6	5-891	PUMP, WATER JET	1
7	5-895	SPRAY NOZZLE	1
8	H-0491686	.625 ID X 1.125 OD RUBBER WASHER	1
9	H-62005	HOSE CLAMP 5/8"- 1-1/2" SS	2
10	H-70858	NYLOK #10-32 SS	4
11	H-70923	KN #10-32 SS	4
12	H-71010	FW #10 .218 x .687 S/S	4
13	H-72522	CB #10-32 X 1-1/4" SS	4
14	M-5463K727	WYE, 1/2", NYLON	1

# 62 Electric Squeegee Lift (optional)



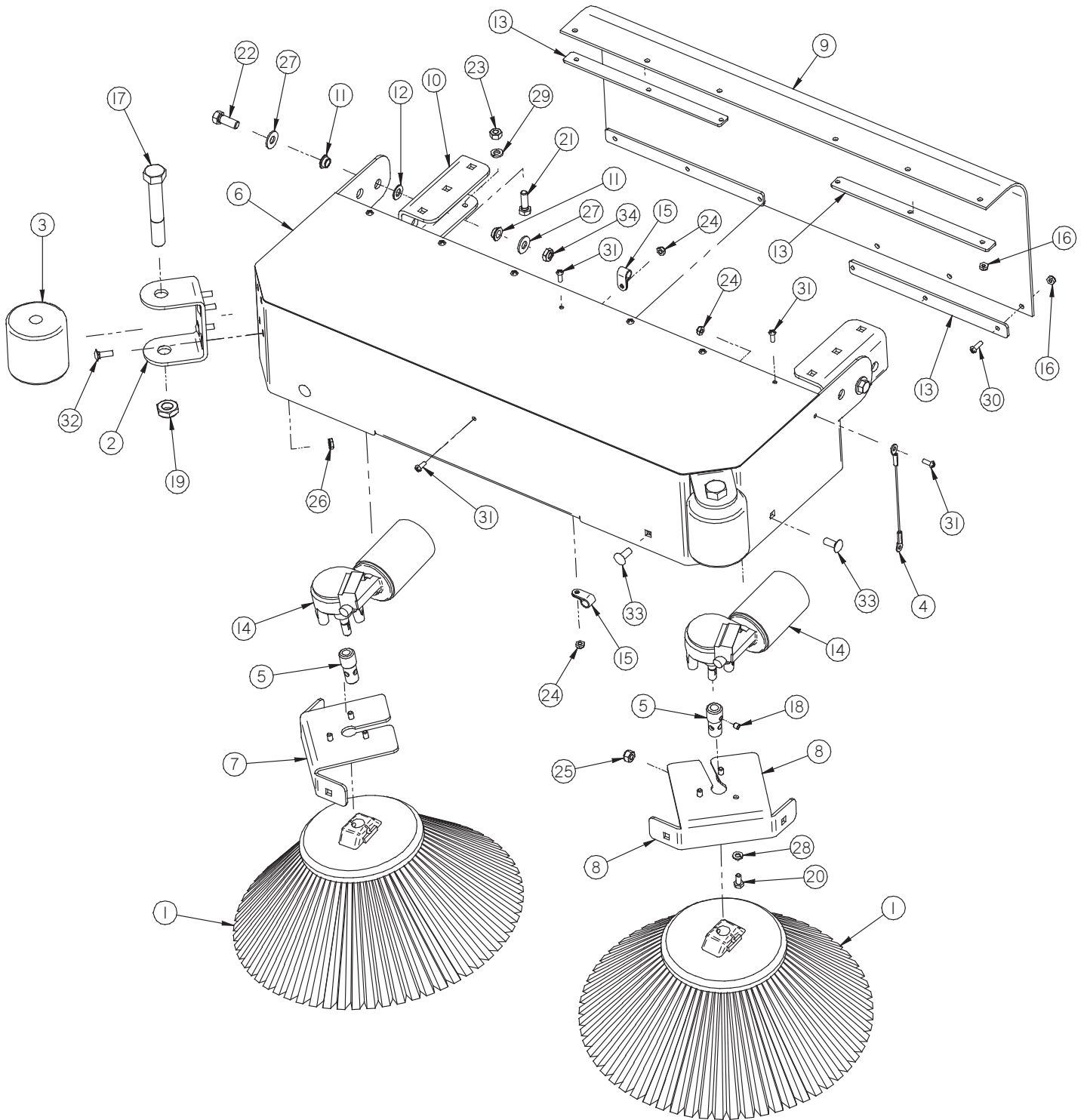
Item	Part Number	Part Description	Qty
1	253-2240	2" STROKE 24V ACTUATOR 450 LB LOAD	1
2	H-70861	NYLOK 5/16" - 18 SS	2
3	H-74429	CB 5/16" - 18 X 3/4" SS	2
4	H-RUE22	1/2" RUE RING COTTER	1
5	H-ZCP228	CLEVIS PIN, 1/2" OD X 2" LG	1

# 64 Vac Wand Kit (optional)

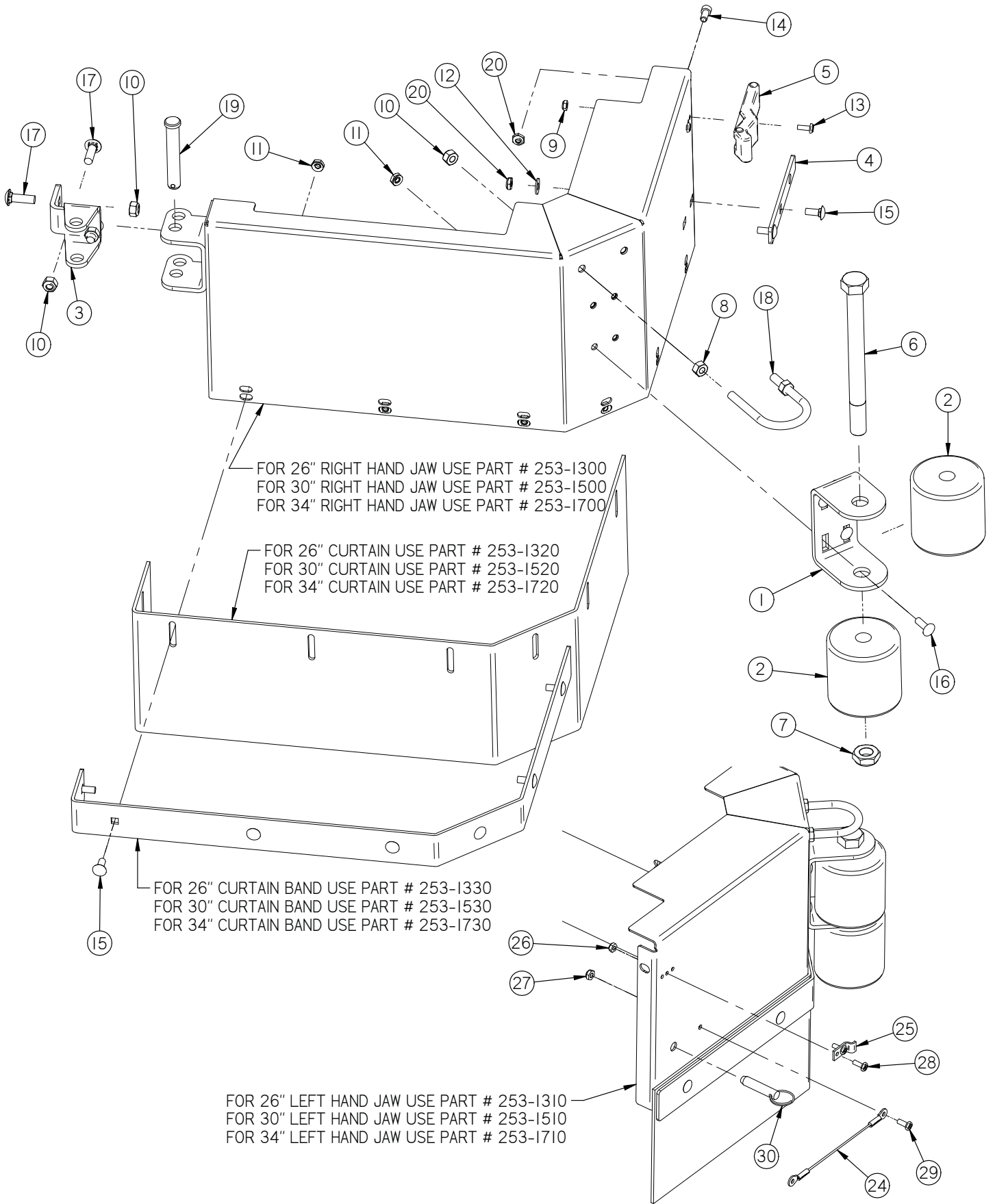




Item	Part Number	Part Description	Qty
1	21-4072	HOSE CUFF, 1 1/2"	1
2	290-7212	1-1/2" - 2" HOSE CUFF	1
3	5-883	HOSE, VACUUM, 1-1/2" X 15', W/CUFFS	1
4	5-889	VACUUM NOZZLE	1
5	7-884	COUPLER, S/S	1
6	7-887	TWO PIECE CHROME VAC WAND	1



Item	Part No.	Part Description	Qty.
1	I-402	SIDE BROOM POLYPROPYLENE	2
2	21-1126	ROLLER BRACKET	2
3	21-1127	ROLLER	2
4	21-4060	6" LANYARD	2
5	253-2443	COUPLER	2
6	253-4422	27" SIDE BROOM LIFT ARM	1
7	253-4427	BRACKET, RIGHT	1
8	253-4428	BRACKET, LEFT	1
9	253-4429	SIDE BROOM CURTAIN	1
10	253-4435	SIDE BRROM LIFT BRACKET	2
11	290-1233	3/8" ID, 1/2" OD, 1/4" LG BEARING	4
12	290-1247	FW BRONZE .75 OD X .375 ID X .0625 THK	2
13	4-529	CURTAIN CLAMP	4
14	8-220	SIDE BROOM MOTOR	2
15	H-0127288	#6 3/8" RUBBER LOOP CLAMP	2
16	H-0129155	JNYL #10-32, 18-8 S/S	12
17	H-11319	HB 5/8"- 11 X 4"	2
18	H-25379	SETSCREW, KCP, 1/4"-20 X 1/4"	2
19	H-37038	JNYL 5/8"- 11	2
20	H-38558	HCS M6-1.0 X 14	6
21	H-70055	HCS 5/16"- 18 X 1" SS	2
22	H-70105	HCS 3/8"- 16 X 1" SS	2
23	H-70711	HN 5/16"- 18 SS	2
24	H-70858	NYLOK #10-32 SS	4
25	H-70861	NYLOK 5/16" - 18 SS	4
26	H-70925	KN 1/4-20 S/S	8
27	H-71017	FW 3/8" X 7/8" SS	4
28	H-71063	LW #6 SS	6
29	H-71065	LW 5/16" SS	2
30	H-71614	RPH #10-32 X 5/8" SS	6
31	H-72515	RPH #10-32 X 1/2" SS	10
32	H-74419	CB 1/4"- 20 X .75" SS	8
33	H-74429	CB 5/16"- 18 X 3/4" SS	4
34	H-NJ06C	JNYL 3/8- 16 SS	2



## RIGHT JAW PARTS LIST

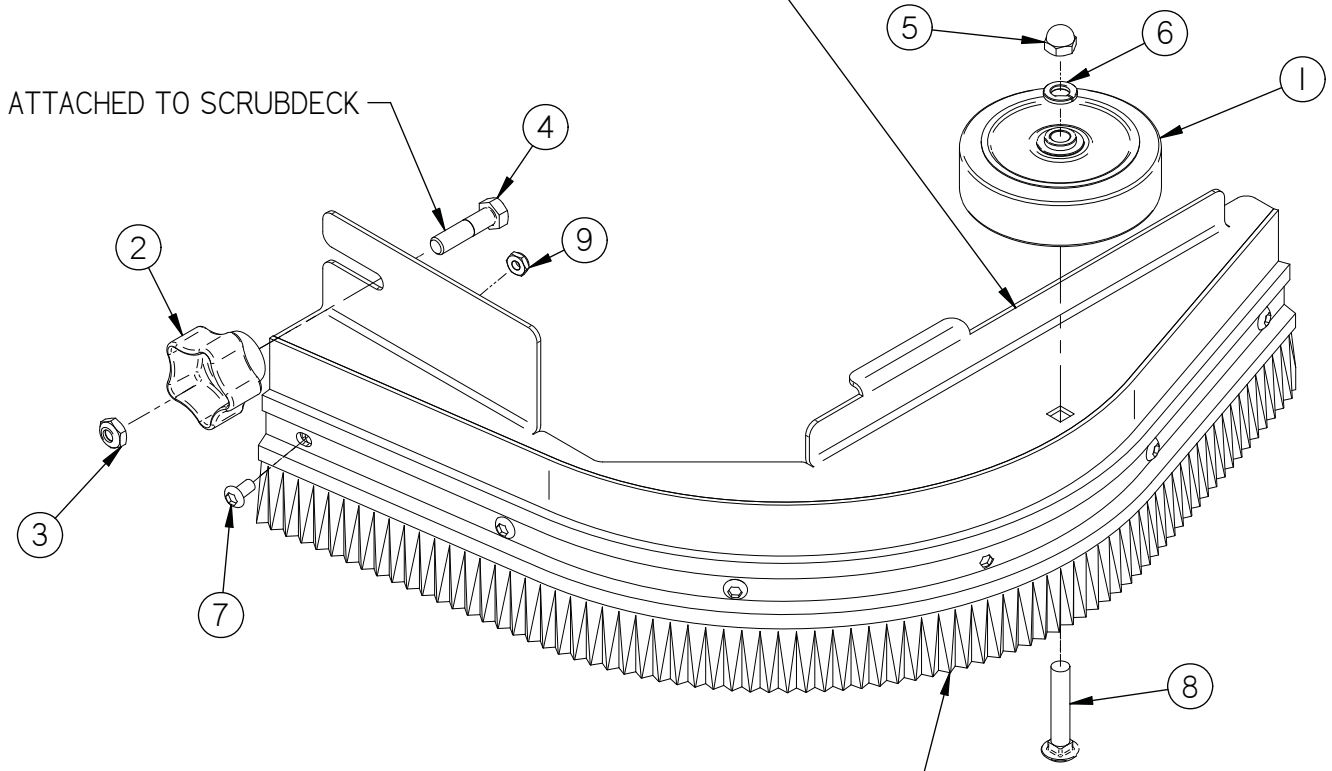
Item	Part Number	Part Description	Qty
1	21-1126	ROLLER BRACKET	1
2	21-1127	ROLLER	2
3	253-1160	JAW HINGE, INNER	1
4	253-1350	JAW LOCK	1
5	4-124	LATCH	1
6	H-13327	HB 5/8" - 11 X 7.0"	1
7	H-37038	JNYL 5/8" - 11	1
8	H-70711	HN 5/16" - 18 SS	2
9	H-70856	NYLOK #8-32 SS	2
10	H-70861	NYLOK 5/16" - 18 SS	5
11	H-70925	KN 1/4-20 S/S	11
12	H-71013	FNW 1/4" X 5/8" SS	2
13	H-72398	PPH #8-32 X 1/2" S/S	2
14	H-73459	SHCS 1/4-20 X 1/2 SS	1
15	H-74418	CB 1/4" - 20 X 5/8" S/S	9
16	H-74419	CB 1/4" - 20 X .75" SS	4
17	H-74430	CB 5/16" - 18 X 1" SS	3
18	H-74631	5/16-18 X 2 1/4" SS U BOLT	1
19	H-CP238	1/2" X 3" CLEVIS PIN	1
20	H-NJ04C	JNYL 1/4" - 20 SS	3

## LEFT JAW PARTS LIST

**SAME PARTS AS RIGHT JAW EXCEPT WHAT'S LISTED BELOW**

24	21-4060	6" LANYARD	1
25	4-124	CLIP, LATCH	1
26	H-70856	NYLOK #8-32 SS	1
27	H-70858	NYLOK #10-32 SS	1
28	H-72398	PPH #8-32 X 1/2" S/S	1
29	H-72515	PPH #10-32 X 1/2" S/S	1
30	M-98404A368	DETENT RING PIN, 3/8" X .8"	1

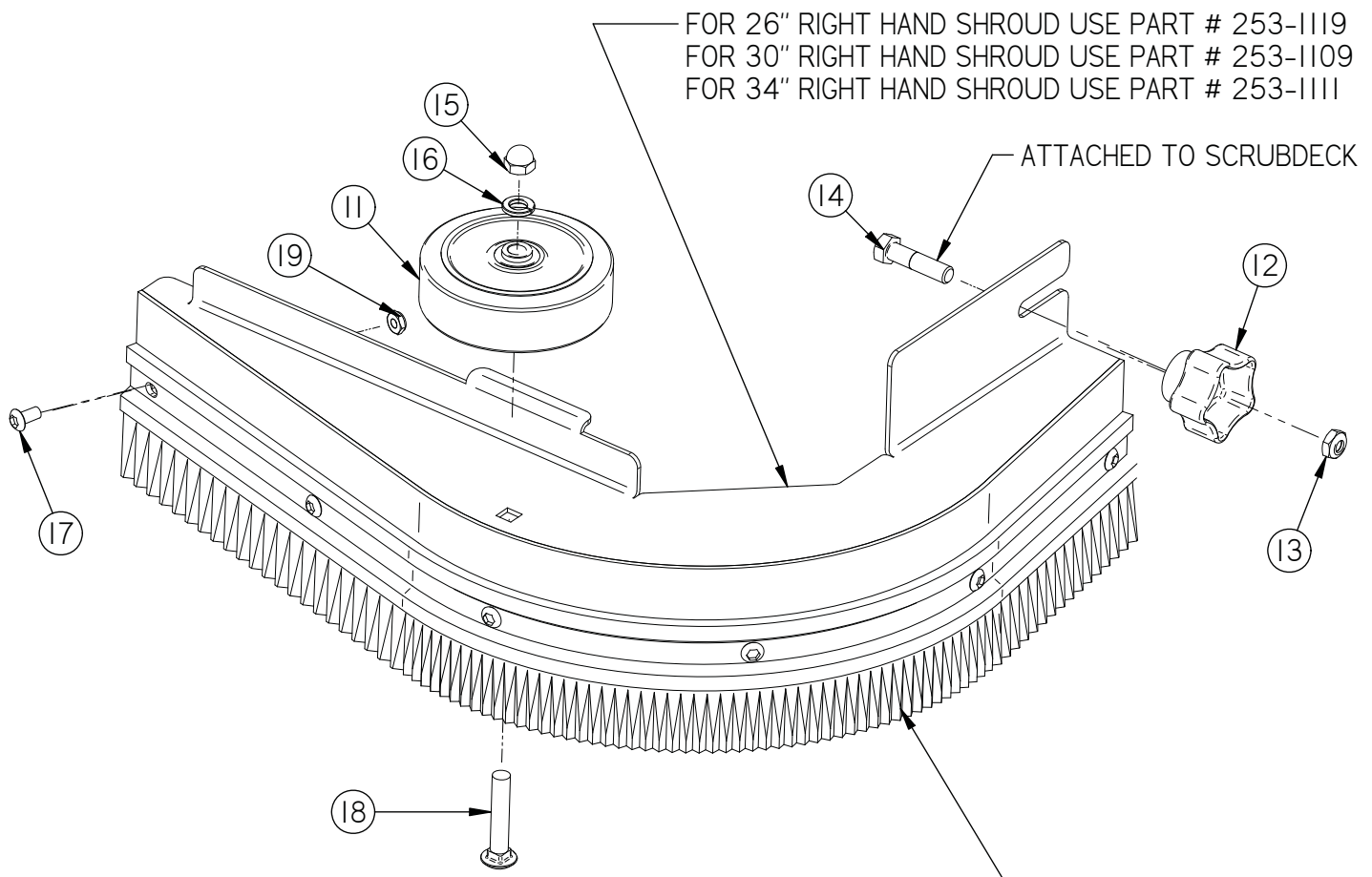
FOR 26" LEFT HAND SHROUD USE PART # 253-1118  
 FOR 30" LEFT HAND SHROUD USE PART # 253-1108  
 FOR 34" LEFT HAND SHROUD USE PART # 253-1110



FOR 26" LEFT HAND SHROUD CURTAIN USE PART # 253-0018  
 FOR 30" LEFT HAND SHROUD CURTAIN USE PART # 253-0018  
 FOR 34" LEFT HAND SHROUD CURTAIN USE PART # 253-0015

## LEFT SHROUD

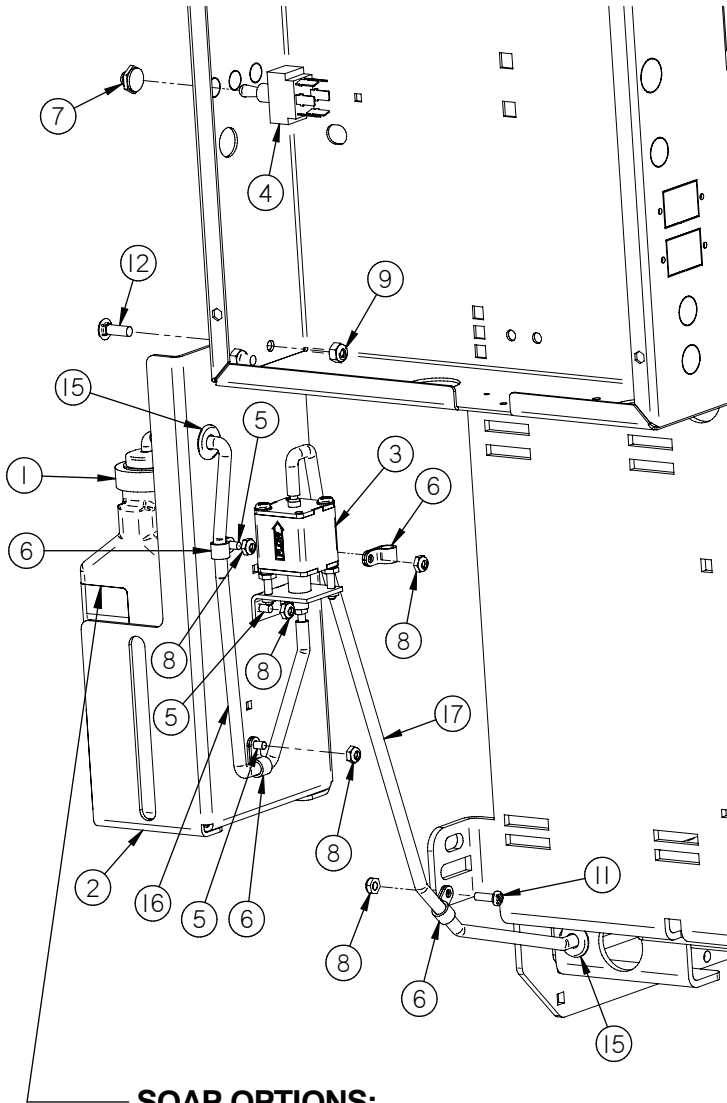
Item	Part Number	Part Description	Qty
1	190-3030	4.0" WHEEL (GRAY)	1
2	290-5787	STAR KNOB, 3/8-24 THREAD	1
3	H-0171004	JNYL 3/8- 24 SS	1
4	H-01729	HCS 3/8"- 24 X 1-1/2" SS	1
5	H-37710	3/8-16 LC ACORN NUT, NICKEL	1
6	H-71067	LW 3/8" SS	1
7	H-73752	BHSCS 1/4 - 20 X 1/2" SS	6
8	H-74439	CB 3/8"- 16 X 2.0" SS	1
9	H-NJ04C	JNYL 1/4" - 20 SS	6



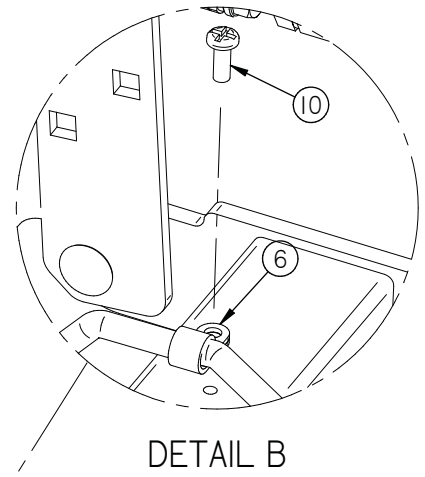
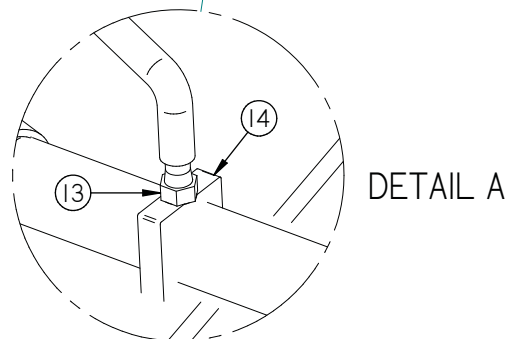
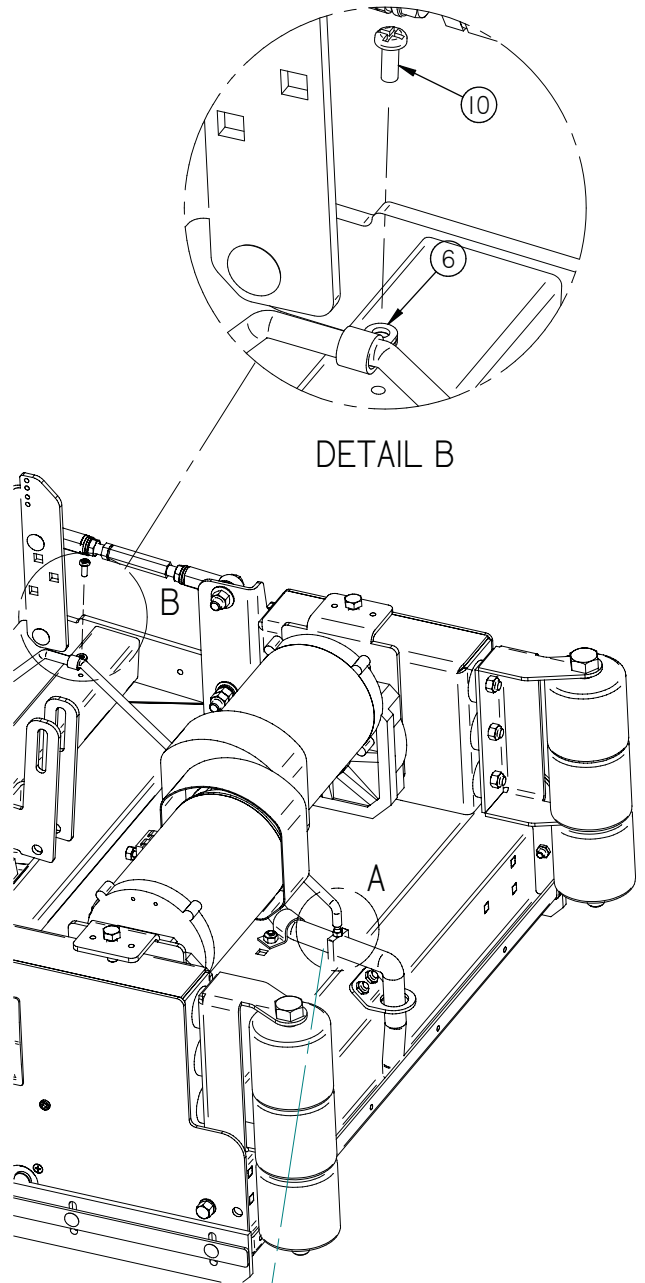
FOR 26" RIGHT HAND SHROUD CURTAIN USE PART # 253-0021  
 FOR 30" RIGHT HAND SHROUD CURTAIN USE PART # 253-0019  
 FOR 34" RIGHT HAND SHROUD CURTAIN USE PART # 253-0016

## RIGHT SHROUD

Item	Part Number	Part Description	Qty
11	190-3030	4.0" WHEEL (GRAY)	1
12	290-5787	STAR KNOB, 3/8-24 THREAD	1
13	H-0171004	JNYL 3/8- 24 SS	1
14	H-01729	HCS 3/8"- 24 X 1-1/2" SS	1
15	H-37710	3/8-16 LC ACORN NUT, NICKEL	1
16	H-71067	LW 3/8" SS	1
17	H-73752	BHSCS 1/4 - 20 X 1/2" SS	6
18	H-74439	CB 3/8"- 16 X 2.0" SS	1
19	H-NJ04C	JNYL 1/4" - 20 SS	6



**SOAP OPTIONS:**  
 PC707 - CITRUS GREEN  
 PC733 - LOW pH  
 PC755 - HIGH POWER  
 PC757 - GLOSS  
 PC797 - HD





Item	Part Number	Part Description	Qty
1	253-0115	SOAPJUG CAP	1
2	253-1760	SOAP TRAY, SINGLE	1
3	253-8500	SOAP PUMP, 24V	1
4	370-2831	SWITCH, TOGGLE, ON/OFF/ON (DPDT)	1
5	H-0172518	CB #10-32 X 1/2" SS	5
6	H-02239	3/8" NYLON LOOP CLAMP	5
7	H-11198	PROTECTIVE BOOT, TOGGLE SWITCH, (GREEN)	1
8	H-70858	NYLOK #10-32 SS	6
9	H-70860	NYLOK 1/4"- 20 SS	2
10	H-72515	PPH #10-32 X 1/2" S/S	1
11	H-72517	PPH #10-32 X 5/8" SS	1
12	H-74419	CB 1/4"- 20 X .75" SS	2
13	M-2974K369	NYLON BARBED TUBE FITTING, 3/16 ID X 1/16" NPT	1
14	M-5116K46	1/2" X 1/2" BARB	1
15	M-9307K23	GROMMET, RUBBER 3/8 ID X 7/8 OD X 1/8 TH.	3
16	T-018CR2000	3/16" ID X 20" LG. C.R. TUBE	1
17	T-018CR7200	3/16" ID X 72" LG. C.R. TUBE	1

# Common Wear Parts

Brushes	Model 26"-Disk	Model 30"-Disk	Model 34"-Disk
Super-Grit	I3-42I SS	I5-42I SS	I7-42I SS
Tough-Grit	I3-42I S	I5-42I S	I7-42I S
Midi-Grit	I3-42I C	I5-42I C	I7-42I C
Light-Grit	I3-42I PS	I5-42I PS	I7-42I PS
Poly (.028)	I3-42I P	I5-42I P	I7-42I P
Nylon (.016)	I3-42I N	I5-42I N	I7-42I N
Tampico	I3-42I T	I5-42I T	I7-42I T
Pad Driver	I3-42I D	I5-42I D	I7-42I D
Diamond Driver	I3-42I DD	I5-42I DD	I7-42I DD

**NOTE: # In Disk Column Denotes Pad Size: 13,15, 17**

Pads	Disk	Level	Color
Super-Black	##-422 BB	Very High	Black
Black	##-422 B	High	Black
Brown	##-422 BR	High	Brown
Green	##-422 G	Medium	Green
Blue	##-422 BL	Moderate	Blue
Red	##-422 R	Moderate	Red
White	##-422 W	Light	White

Extra pad driver retaining clip: 40-433

Brush repair kit: 40-423 Replacement locating clip for all brushes.

## NEW STYLE CYL BRUSHES FOR MACHINE SERIAL #50000 & GREATER

Brushes	Model 24"-Cyl	Model 27"-Cyl	Model 30"-Cyl	Model 34"- Cyl
Super-Grit	N/A	N/A	N/A	N/A
Tough-Grit	225-82IS	255-82IS	285-82IS	325-82IS
Midi-Grit	225-82IC	255-82IC	285-82IC	325-82IC
Light-Grit	225-82IPS	255-82IPS	285-82IPS	325-82IPS
Poly (.028)	N/A	N/A	N/A	N/A
Nylon (.016)	225-82IN	255-82IN	285-82IN	325-82IN

## OLD STYLE CYL BRUSHES FOR MACHINES PRIOR TO SERIAL #50000

Brushes	Model 24"-Cyl	Model 27"-Cyl	Model 30"-Cyl	Model 34"- Cyl
Super-Grit	N/A	N/A	N/A	N/A
Tough-Grit	22-52I S	25-52I S	28-52I S	32-52I S
Midi-Grit	22-52I C	25-52I C	28-52I C	32-52I C
Light-Grit	22-52I PS	25-52I PS	28-52I PS	32-52I PS
Poly (.028)	N/A	N/A	N/A	N/A
Nylon (.016)	22-52I N	25-52I N	28-52I N	32-52I N
Tampico	N/A	N/A	N/A	N/A

## Squeegee blade kits & Complete Squeegee assemblies

Squeegee size	Model 24"-Cyl	Model 26"-Disk	Model 27"-Cyl	Model 30"-Disk	Model 30"-Cyl	Model 34"-Disk 34"- Cyl	Gum Rubber blade kit	Linatex blade kit	Complete squeegee assemblies
32" squeegee	Standard	Standard	Optional	Optional	Optional	N/A	22-770 G	22-770 L	23-7180
35" squeegee	Optional	Optional	Standard	Standard	Optional	N/A	25-770 G	25-770 L	25-7180
38" squeegee	Optional	Optional	Optional	Optional	Standard	Standard	28-770 G	28-770 L	28-7180
45" squeegee	N/A	N/A	N/A	N/A	N/A	Optional	290-770 G	290-770 L	290-7180

**NOTE:** Squeegee blade kits include (1) Rear Blade, (1) Front Blade, and (2) Backup Wheels with hardware.

**NOTE:** Squeegee Assemblies (complete) listed above all come with Linatex blades.

**NOTE:** Size is stamped into the top of the painted steel squeegee body on all squeegee's.

**NOTE:** The squeegee is designed for narrow isles and may not have the same water control around tight turns as the larger squeegees.

**SOAP**

Heavy Duty Degreaser

Citrus

Freezer

Tire Mark Remover

For more soap information call PowerCat 414-745-9337

[www.powercatsolutions.com](http://www.powercatsolutions.com)

## Magnum Suggested Parts Inventory

Quantity	Part #	Description
1	25-770G	Squeegee Rebuild Kit 35" Gum
1	25-770L	Squeegee Rebuild Kit 35" Linatex
1	28-770G	Squeegee Rebuild Kit 38" Gum
1	28-770L	Squeegee Rebuild Kit 38" Linatex
2	5-760	Squeegee Side Roller Wheels
2	H-70065	Side Roller Wheel Bolt
1	21-4500	Solution Solenoid
1	190-5250	Vacuum Motor
1	190-3002	Vacuum Motor Gasket
1	8-231	Main Power Switch
1	190-1410	Recovery Lid Assembly
1	253-1070	Tank Lid Gasket
1	7-229	Pushbutton Switch
1	29-Jul	Rheostat, Speed Setting 5k
1	7-283	DPDT Toggle switch
1	290-2891	LCD
2	290-2815	Circuit Breaker
2	21-5000	Brush Driver
1	21-4085	Vac Screen
1	21-4028	Snap grip Clamp 2-1/8" - 2-3/8", Nylon
1	190-1450	Vacuum Saver
1	253-1505	Loader Valve
2	253-0111	Squeegee Hose
2	170-7211	Drain Hose Cap
2	170-7210	Drain Hose
2	253-0130	Casters
1	253-2010	Dash Sticker
2	32-3045	Front Tire
1	5-913	Solution Filter
1	21-4510	Solution Knob
1	21-4520	Speed Knob
2	4-124	Tank Lid Latch
1	253-7890	Squeegee Cable
2	290-5786	Squeegee Knobs
1	H-01196	Switch Cover - Red
1	H-01200	Switch Cover - Black
1	21-7101	Squeegee Lift Knob
1	5-293	Hella Relay
1	5-223	Vac Switch
1	253-2445	On-Board Charger
1	253-3444	Charger Cord



